



Water Works
Endüstriyel Vanalar



Irrigation
Sulama Vanaları



Fire Fighting
Yangın Vanaları



Mechanical
Mekanik Vanaları

ÜRÜN KATALOĞU PRODUCT CATALOGUE



ООО «ТИ-СИСТЕМС» ИНЖИНИРИНГ И ПОСТАВКА ТЕХНОЛОГИЧЕСКОГО ОБОРУДОВАНИЯ

Интернет: www.tisys.ru www.tisys.kz www.tisys.by www.tesec.ru www.ти-системс.рф

Телефоны: +7 (495) 7774788, 7489626, (925) 5007155, 54, 65 Эл. почта: info@tisys.ru info@tisys.kz info@tisys.by

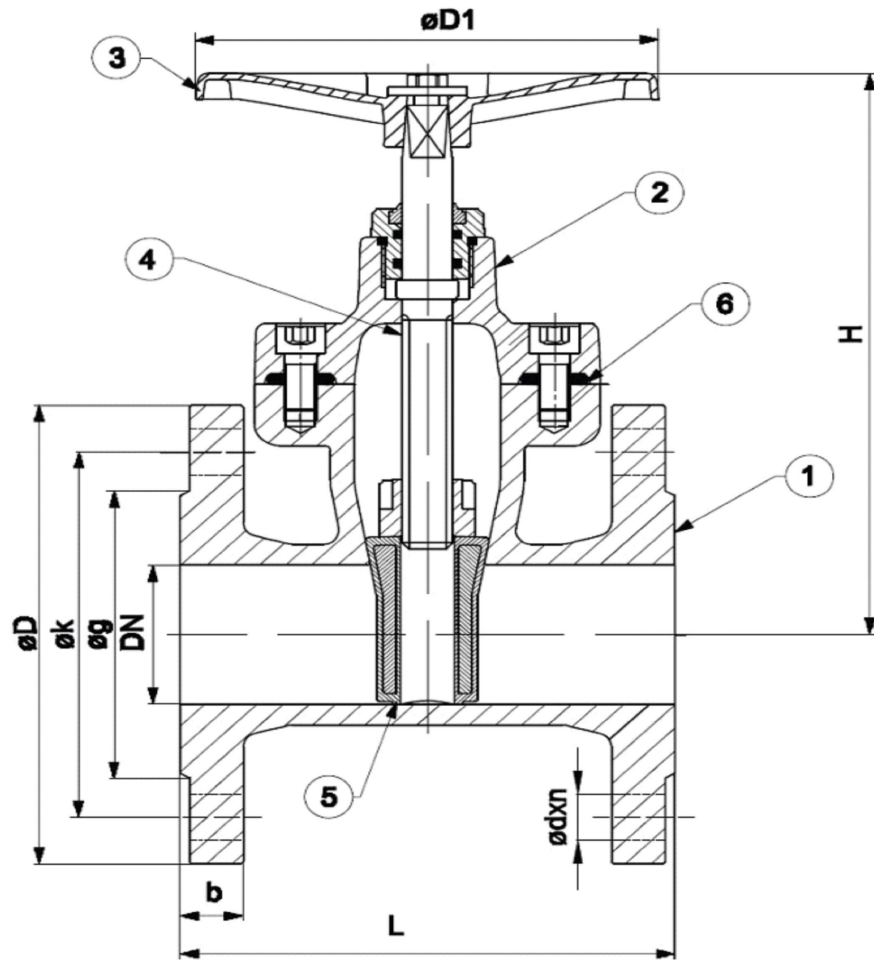
RESILIENT SEATED GATE VALVE
ELASTOMER SİTLİ SÜRGÜLÜ VANA



PN 10 / 16
DN 40... DN 600



NO	PART NAME	PARÇA ADI	MATERIAL / MALZEME
1	Body	Gövde	GG25 / GGG40.3
2	Bonnet	Kapak	GG25 / GGG40.3
3	Handwheel	Volan	GG20
4	Stem	Mil	Paslanmaz Çelik / Stainless Steel
5	Wedge	Sürgü	Kauçuk Kaplı / GGG40.3-Rubber Plated
6	Gasket	Conta	NBR / EPDM



Nominal Pressure / Anma Basıncı	PN10/16																
Nominal Diameter / Anma Çapı	DN	40	50	65	80	100	125	150	200	250	300	350	400	450	500	600	
Valve Dimensions Vana Boyutları TS 457/1a DIN3352/2-F5	L	140	150	170	180	190	200	210	230	250	270	290	310	330	350	390	
	H	170	180	230	245	265	355	400	490	615	700	835	910	1000	1135	1300	
	D1	160			200			250			315			400		500	
Flange Dimensions Flanş Ölçüleri DIN2501/TS 810 PN10/16	D	150	165	185	200	220	250	285	340	405	460	520	580	640	715	840	
	k	110	125	145	160	180	210	240	295	355	410	470	525	585	650	770	
	g	84	99	118	132	156	184	211	266	319	370	429	480	548	609	720	
	b	18	20	22	24	26	30	32	36	38	40	42	48	48	48	48	
	d	19				23				28				31		34	37
	n	4			8				12				16		20		
Weight/Ağırlık	Kg.	9	10	15	17	23	37	45	80	123	166	225	290	400	460	680	

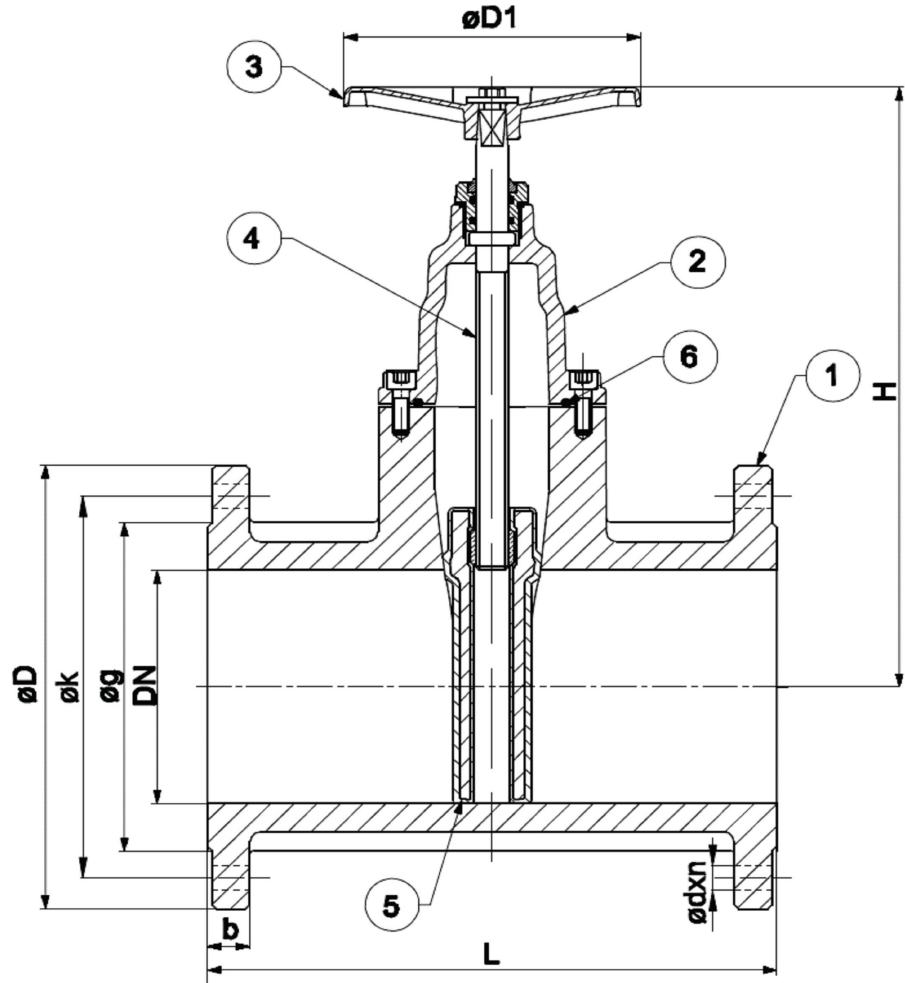
RESILIENT SEATED GATE VALVE
ELASTOMER SİTLİ SÜRGÜLÜ VANA



PN 16
DN 40... DN 600



NO	PART NAME	PARÇA ADI	MATERIAL / MALZEME
1	Body	Gövde	GG25 / GGG40.3
2	Bonnet	Kapak	GG25 / GGG40.3
3	Handwheel	Volan	GG20
4	Stem	Mil	Paslanmaz Çelik / Stainless Steel
5	Wedge	Sürgü	Kauçuk Kaplı / GGG40.3-Rubber Plated
6	Gasket	Conta	NBR / EPDM



Nominal Pressure / Anma Basıncı	PN16																
Nominal Diameter / Anma Çapı	DN	40	50	65	80	100	125	150	200	250	300	350	400	450	500	600	
Valve Dimensions Vana Boyutları TS457/1a DIN3352/2-F5	L	240	250	270	280	300	325	350	400	450	500	550	600	650	700	800	
	H	170	180	230	245	265	355	400	490	615	700	835	910	1000	1135	1300	
	D1	160				200	250			315			400			500	
Flange Dimensions Flanş Ölçüleri DIN2501/TS810 PN16	D	150	165	185	200	220	250	285	340	405	460	520	580	640	715	840	
	k	110	125	145	160	180	210	240	295	355	410	470	525	585	650	770	
	g	84	99	118	132	156	184	211	266	319	370	429	480	548	609	720	
	b	18	20		22	24	26		30	32		36	38	40	42	48	
	d	19						23			28			31		34	37
	n	4				8				12				16		20	
Weight/Ağırlık	Kg.	12	13	20	22	30	48	59	104	160	216	293	377	520	598	884	

DOUBLE FLANGED BUTTERFLY VALVES

ÇİFT FLANŞLI KELEBEK VANALAR



DOUBLE FLANGED BUTTERFLY VALVES

ÇİFT FLANŞLI KELEBEK VANALAR

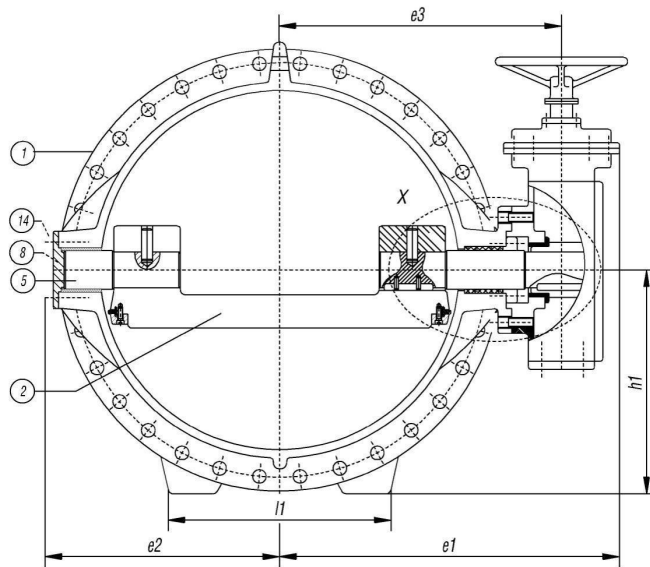
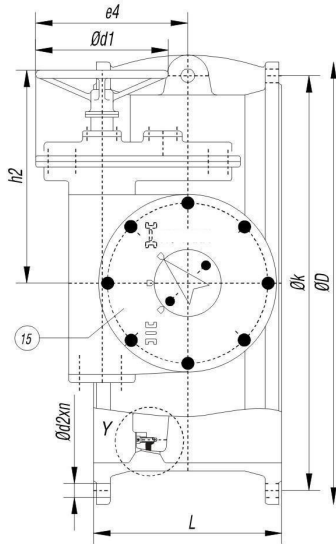
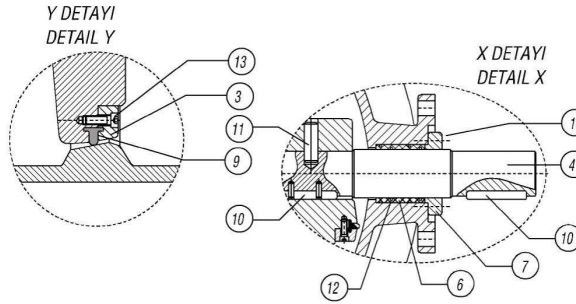
PN 10, PN 16, PN 25, PN 40

BS 5155, DIN 3202/2-F4

DN 100....DN 1200



NO	PART NAME	PARÇA ADI	MATERIAL / MALZEME
1	Body	Gövde	GG 25/GGG-40/50 GS-C 25/AISI 304
2	Disc	Klappe	GGG-50 / GS-C 25
3	Retainig Ring	Baskı Çemberi	Steel Ck-45
4	Stem-Driven End	Tahrik Milii	AISI 420(X20 Cr13)
5	Stem-Free End	Kısa Mil	AISI 420(X20 Cr13)
6	Bearing bush	Yatak burcu	BRONZ - BRONZE
7	Cover-Driven End	Mil Kapağı	GGG-50 / GS-C 25
8	Cover-Free End	Kısa Mil Kapağı	GGG-50 / GS-C 25
9	Sealing Ring	Sızdırmazlık Ringi	EPDM
10	Key	Kama	Steel Ck-45
11	Setscrew	Setskur	Stainless Steel - A2
12	O-Ring	O-Ring	EPDM,BUNA-N
13	Screw	İmbus Civata	Stainless Steel - A2
14	Boit	Civata	Stainless Steel - A2
15	Worm Gear Ünit	Tahrik Kutusu	GGG-50/St



Nominal Diameter / Anma Çapı	DN	100	125	150	200	250	300	350	400	450	500	600	700	800	900	1000	1100	1200		
Valve Dimensions Vana Boyutları DIN 3202/2-F4 BS 5155	DN 3202 F4 L	190	200	210	230	250	270	290	310	330	350	390	430	470	510	550	590	630		
	BS 5155 L	127	140	140	152	165	178	190	216	222	229	267	292	318	330	410	440	470		
	e1	250	262	284	307	387	423	438	482	515	573	641	729	790	845	920	980	1168		
	e2	105	117	128	157	213	242	273	299	335	355	430	465	521	576	650	710	765		
	e3	198	210	232	255	319	355	370	414	447	491	559	599	660	715	790	850	945		
	e4	134			158			172			238			314			366			515
	h1	110	125	143	170	212	240	270	295	325	367	430	465	522	570	632	695	752		
	h2	205			255			275			410			476			515			620
	d1	180			215			250			320			385						
	l1						260	335	345	375	450	470	545	590	660	720	770		965	
Flange Dimension Flanş Ölçüleri TS810/DIN2501 BS 4504	ØD	220	250	285	340	395	445	505	565	615	670	780	895	1015	1115	1230	1340	1455		
	Øk	180	210	240	295	350	400	460	515	565	620	725	840	950	1050	1160	1270	1380		
	Ød2xn	Ø18x8		Ø22x8		Ø22x12		Ø26x12		Ø26x16		Ø26x20		Ø30x24		Ø33x28		Ø36x32		
	ØD	220	250	285	340	405	460	520	580	640	715	840	910	1025	1125	1255	1355	1485		
	Øk	180	210	240	295	355	410	470	525	585	650	770	840	950	1050	1170	1270	1380		
	Ød2xn	Ø18x8		Ø22x8		Ø22x12		Ø26x12		Ø26x16		Ø30x16		Ø30x20		Ø33x20		Ø36x24		
	ØD	235	270	300	360	425	485	555	620	670	730	845	960	1085	1185	1320		1530		
	Øk	190	220	250	310	370	430	490	550	600	660	770	875	990	1090	1210		1420		
	Ød2xn	Ø22x8		Ø26x8		Ø26x12		Ø30x12		Ø30x16		Ø36x16		Ø36x20		Ø39x20		Ø42x24		
	ØD	235	270	300	375	450	515	580	660	685	755	890	995	1140	1250	1360		1530		
Øk	190	220	250	320	385	450	510	585	610	670	795	900	1030	1140	1250		1430			
Ød2xn	Ø22x8		Ø26x8		Ø30x12		Ø33x12		Ø36x16		Ø39x16		Ø42x20		Ø48x24		Ø56x28			
Weight / Ağırlık	kg	30	35	45	50	95	120	160	200	255	300	460	635	790	1020	1355	1710	2400		

ОО «ТИ-СИСТЕМС» ИНЖИНИРИНГ И ПОСТАВКА ТЕХНОЛОГИЧЕСКОГО ОБОРУДОВАНИЯ

Интернет: www.tisys.ru www.tisys.kz www.tisys.by www.tesec.ru www.ti-sistemc.pф

Телефоны: +7 (495) 7774788, 7489626, (925) 5007155, 54, 65 Эл. почта: info@tisys.ru info@tisys.kz info@tisys.by

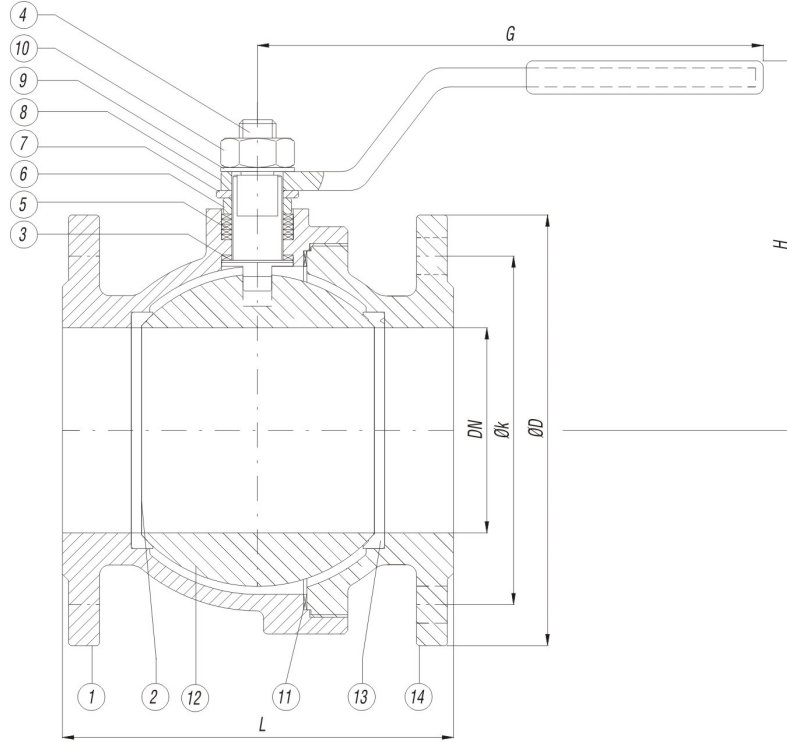
BALL VALVE FOR WATER

SU KÜRESELİ



FULL BORE DÜZ GEÇİŞLİ
 PN 10, PN 6 PN 10, PN 6
 TS3148, DIN 3357/6-1 TS3148, DIN 3357/6-1
 DN 40....100 DN 40....100

NO	PART NAME	PARÇA ADI	MATERIAL / MALZEME
1	Body	Gövde	GG 25/GGG-40/50
2	Body seal	Gövde ringi	PTFE
3	Gasket	Alt teflonu	PTFE
4	Stem	Mil	AISI304/AISI316
5	Gasket	Teflon Ring	PTFE
6	Gland bush	Baskı burcu	Ms-58/AISI304
7	Stopper	Hareket pulu	St-37/AISI304
8	Lever	Kol	St-37/AISI304
9	Washer	Rondela	St-37/AISI304
10	Nut	Somun	5 D/S.S
11	Gasket	Conta	Klingerit/Franzelit
12	Ball	Küre	AISI304
13	Flange seal	Flanş ringi	PTFE
14	Flange	Yan flanş	GG 25/GGG-40/50



Nominal Diameter / Anma Çapı	DN	40	50	65	80	100
Valve Dimensions Vana Boyutları TS 3148 DIN3357/6-1	L	140	150	170	180	190
	G max.	200	260		330	
	H max.	125	135	145	175	190
Flange Dimensions / Flanş Ölçüleri TS810/DIN2501 PN 6	D	130	140	160	190	210
	k	100	110	130	150	170
Flange Dimensions / Flanş Ölçüleri TS810/DIN2501 PN 10	D	150	165	185	200	220
	k	110	125	145	160	180
Weight-Ağırlık	kg	6	8	11	16	22

ООО «ТИ-СИСТЕМС» ИНЖИНИРИНГ И ПОСТАВКА ТЕХНОЛОГИЧЕСКОГО ОБОРУДОВАНИЯ

Интернет: www.tisys.ru www.tisys.kz www.tisys.by www.tesec.ru www.ти-системс.рф

Телефоны: +7 (495) 7774788, 7489626, (925) 5007155, 54, 65 Эл. почта: info@tisys.ru info@tisys.kz info@tisys.by

GATE VALVES PN10/6 SÜRGÜLÜ VANA PN 10/6



O-RING SYSTEM

PN10/PN6

TS 457/1

DIN 3352/2-F4(DIN 3216)

DN 40....900

BBFT No:207-400

207-500

O-RİNG SİSTEMLİ

PN10/PN6

TS 457/1

DIN 3352/2-F4(DIN 3216)

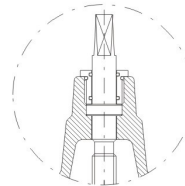
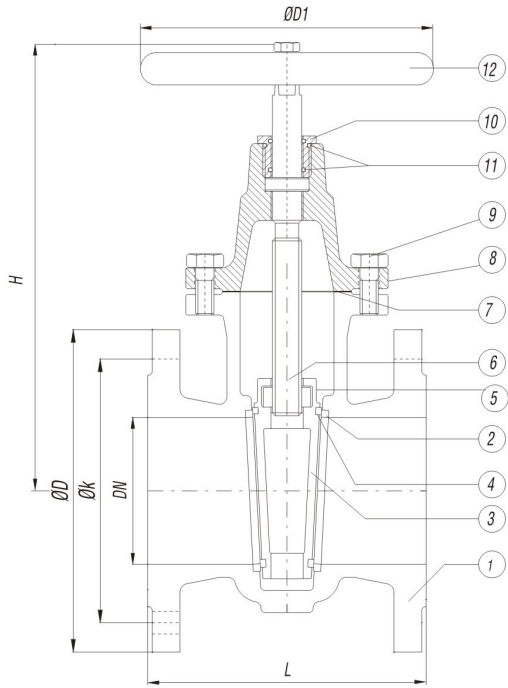
DN 40....900

BBFT No:207-400

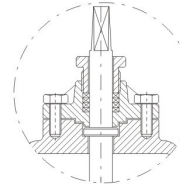
207-500



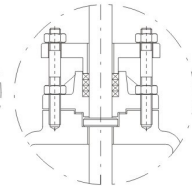
NO	PART NAME	PARÇA ADI	MATERIAL / MALZEME
1	Body	Gövde	GG 25 / GGG-40
2	Seat Ring	Gövde Burcu	Ms 58 / Bronze/S.S
3	DN40...100	DN40...100 Sürgü	Ms 58 / Bronze/S.S
	DN125...900	DN125...900 Sürgü	GG 25 / GGG-40
4	Wedge Ring	Sürgü Burcu	Ms 58/Bronze/S.S
5	Wedge Nut 125...900	Sürgü Somunu 125...900	Ms 58/Bronze/GGG 40
6	Stem	Mil	Ms 58/Bronze/S.S
7	Gasket	Conta	EPDM/FRANZELİT/KLINGERİT
8	Bonnet	Kapak	GG 25 / GGG-40
9	Bolt	Civata	5 D/S.S
10	Packing nut	Mil Somunu	Ms 58/Bronze/S.S
11	O-Ring	O-Ring	Epdm
12	Handwheel	Volan	GG 20



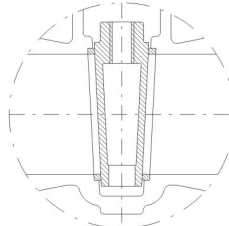
DN 40...DN200
O-Ringli mil
O-Ringli Stem



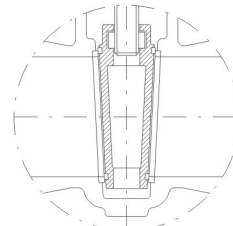
DN 250/300
Salmastra Detayı
Packing Detail



DN 350...900
Salmastra Detayı
Packing Detail



DN40...100
Sürgü Tipi
Wedge Type



DN125...900
Sürgü Tipi
Wedge Type

Nominal Pressure / Anma Basıncı	PN	10					6					4			2,5		1,6	1	
Nominal Diameter / Anma Çapı	DN	40	50	65	80	100	125	150	200	250	300	350	400	500	600	700	800	900	
Valve Dimensions / Vana Boyutları TS 457/1 DIN3352/2-F4	L	140	150	170	180	190	200	210	230	250	270	290	310	350	390	430	470	510	
	H	157	190	210	230	260	365	375	500	630	715	820	910	1135	1300	1480	1690	1820	
Flange Dimensions / Flanş Ölçüleri DIN2501/TS 810 PN10	D1	160			200		250			315		400		500		630		800	
	D	150	165	185	200	220	250	285	340	395	445	505	565	670	780	895	1015	1115	
Weight / Ağırlık	k	110	125	145	160	180	210	240	295	350	400	460	515	620	725	840	950	1050	
	kg	8.3	10.2	13.7	15.5	22.1	37	44.2	81	123	176	225	290	460	680	870	1200	1400	

ООО «ТИ-СИСТЕМС» ИНЖИНИРИНГ И ПОСТАВКА ТЕХНОЛОГИЧЕСКОГО ОБОРУДОВАНИЯ

Интернет: www.tisys.ru www.tisys.kz www.tisys.by www.tesec.ru www.ти-системс.рф www.valfon.com.tr

Телефоны: +7 (495) 7774788, 7489626, (925) 5007155, 54, 65 Эл. почта: info@tisys.ru info@tisys.kz info@tisys.by

GATE VALVES PN10/6 (With indicator)

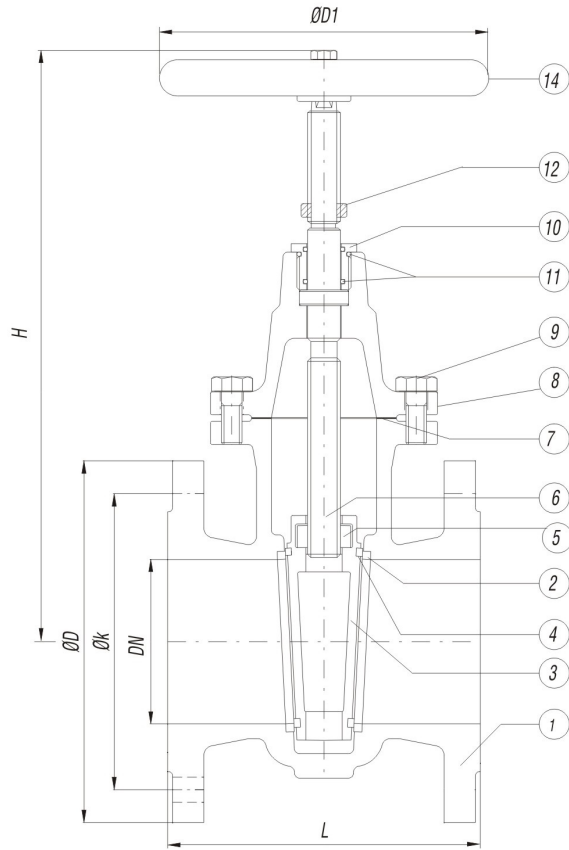
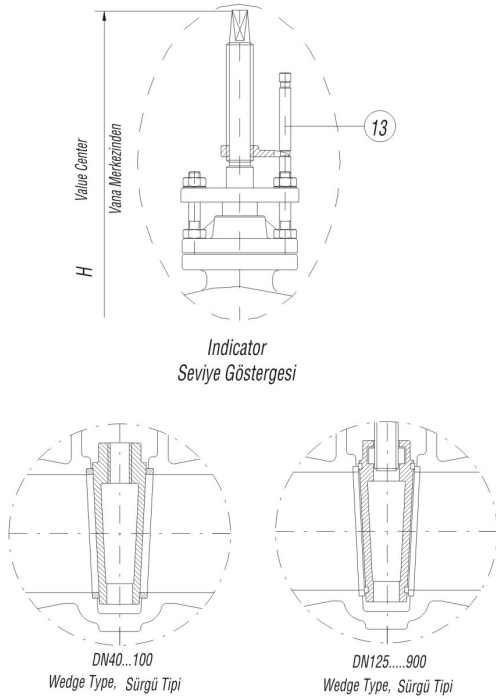
SEVİYE GÖSTERGELİ SÜRGÜLÜ VANA



WITH INDICATOR
PN10/PN6
TS 457/1
DIN 3352/2-F4(DIN 3216)
DN 40....900

SEVİYE GÖSTERGELİ
PN10/PN6
TS 457/1
DIN 3352/2-F4(DIN 3216)
DN 40....900

NO	PART NAME	PARÇA ADI	MATERIAL / MALZEME
1	Body	Gövde	GG 25 / GGG-40
2	Seat Ring	Gövde Burcu	Ms 58/Bronze/S.S
3	DN40...100	DN40...100 Sürgü	Ms 58/Bronze/S.S
	DN125...900	DN125...900 Sürgü	GG 25 / GGG-40
4	Wedge Ring	Sürgü Burcu	Ms 58/Bronze/S.S
5	Wedge Nut Only 125...900	Sürgü Somunu Sadece 125...900	Ms 58/Bronze/GGG 40
6	Stem	Mil	Ms 58/Bronze/S.S
7	Gasket	Conta	EPDM/FRANZELİT/KLINGERİT
8	Bonnet	Kapak	GG 25 / GGG-40
9	Bolt	Civata	5 D/S.S
10	Packing nut	Mil Somunu	Ms 58/Bronze/S.S
11	O-Ring	O-Ring	Epdm
12	Indicator	Gösterge	Ms 58/S.S
13	Indicator pin	Gösterge pimi	Ms 58/S.S
14	Handwheel	Volan	GG 20



Nominal Pressure / Anma Basıncı	PN	10							6			4			2,5		1,6	1	
Nominal Diameter / Anma Çapı	DN	40	50	65	80	100	125	150	200	250	300	350	400	500	600	700	800	900	
Valve Dimensions / Vana Boyutları TS 457/1 DIN3352/2-F4	L	140	150	170	180	190	200	210	230	250	270	290	310	350	390	430	470	510	
	H	190	235	260	290	310	435	455	580	720	815	925	1030	1265	1450	1650	1860	1990	
	D1	160				200			250			315		400		500		630	
Flange Dimensions / Flanş Ölçüleri DIN2501/TS 810 PN10	D	150	165	185	200	220	250	285	340	395	445	505	565	670	780	895	1015	1115	
	k	110	125	145	160	180	210	240	295	350	400	460	515	620	725	840	950	1050	
Weight / Ağırlık	kg	8.5	10.5	14	16	22.5	37.5	45	82	125	178	228	293	465	685	875	1205	1405	

ООО «ТИ-СИСТЕМС» ИНЖИНИРИНГ И ПОСТАВКА ТЕХНОЛОГИЧЕСКОГО ОБОРУДОВАНИЯ

Интернет: www.tisys.ru www.tisys.kz www.tisys.by www.tesec.ru www.ti-sistemc.pф

Телефоны: +7 (495) 7774788, 7489626, (925) 5007155, 54, 65 Эл. почта: info@tisys.ru info@tisys.kz info@tisys.by

GATE VALVE PN10/16

SÜRGÜLÜ VANA PN10/16



O-RING SYSTEM

PN10/PN16

TS 457/1a

DIN 3352/2-F5(DIN 3225)

DN 40....600

BBFT No:207-500

O-RING SİSTEMLİ

PN10/PN16

TS 457/1a

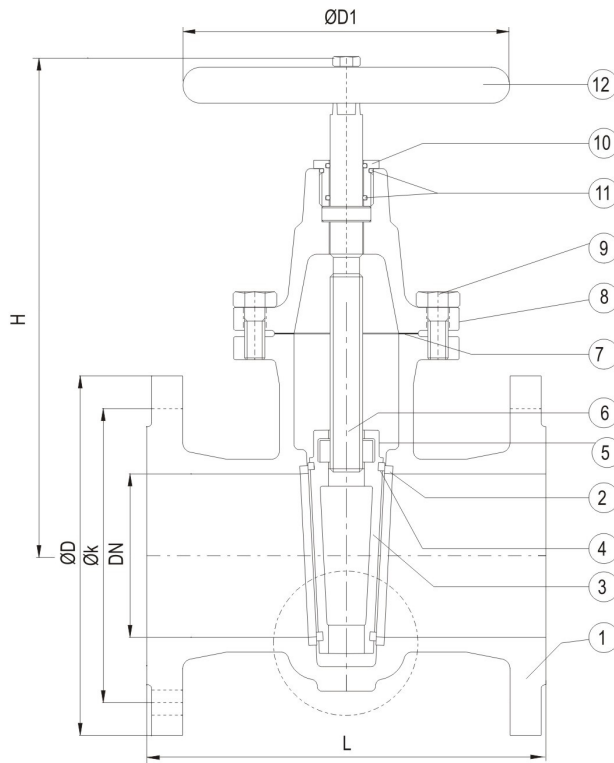
DIN 3352/2-F5(DIN 3225)

DN 40....600

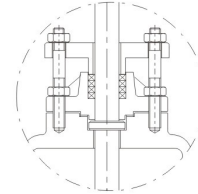
BBFT No:207-500



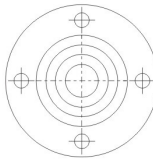
NO	PART NAME	PARÇA ADI	MATERIAL / MALZEME
1	Body	Gövde	GG 25 / GGG-40/50
2	Body seat	Gövde Burcu	Ms 58/Bronze/S.S
3	Wedge	Sürgü	GG 25 / GGG-40/50
4	Wedge seat	Sürgü Burcu	Ms 58/Bronze/S.S
5	Stem nut	Sürgü Somunu	Ms 58/Bronze/S.S
6	Stem	Mil	Ms 58/Bronze/S.S
7	Gasket	Conta	NBR/Franzelit/Klingerit
8	Bonnet	Kapak	GG 25 / GGG-40/50
9	Bolt	Civata	5 D / S.S
10	Packing nut	Mil Somunu	Ms 58/Bronze/S.S
11	O-Ring	O-Ring	EPDM
12	Handwheel	Volan	GG 20



Salmastra Detayı
Packing Detail



DN 200....DN300



DN 350....DN600

Nominal Pressure / Anma Basıncı	PN 10 / 16														
Nominal Diameter / Anma Çapı	DN	40	50	65	80	100	125	150	200	250	300	350	400	500	600
Valve Dimensions Vana Boyutları TS 457/1a DIN3352/2-F5	L	240	250	270	280	300	325	350	400	450	500	550	600	700	800
	H	215	220	265	300	320	370	415	590	675	750	870	950	1200	1330
	D1	200		250		315			400	500			620	800	
Flange Dimensions / Flanş Ölçüleri DIN2501/TS 810 PN 10	D	150	165	185	200	220	250	285	340	395	445	505	565	670	780
	k	110	125	145	160	180	210	240	295	350	400	460	515	620	725
Flange Dimensions / Flanş Ölçüleri DIN2501/TS 810 PN 16	D	150	165	185	200	220	250	285	340	405	460	520	580	715	840
	k	110	125	145	160	180	210	240	295	355	410	470	525	650	770
Weight / Ağırlık kg	kg	13.3	15.3	22.2	26.8	36	47	59	141	195	285	371	460	751	1143

ООО «ТИ-СИСТЕМС» ИНЖИНИРИНГ И ПОСТАВКА ТЕХНОЛОГИЧЕСКОГО ОБОРУДОВАНИЯ

Интернет: www.tisys.ru www.tisys.kz www.tisys.by www.tesec.ru www.ti-sistemc.pф

Телефоны: +7 (495) 7774788, 7489626, (925) 5007155, 54, 65 Эл. почта: info@tisys.ru info@tisys.kz info@tisys.by

RISING STEM GATE VALVE PN 16

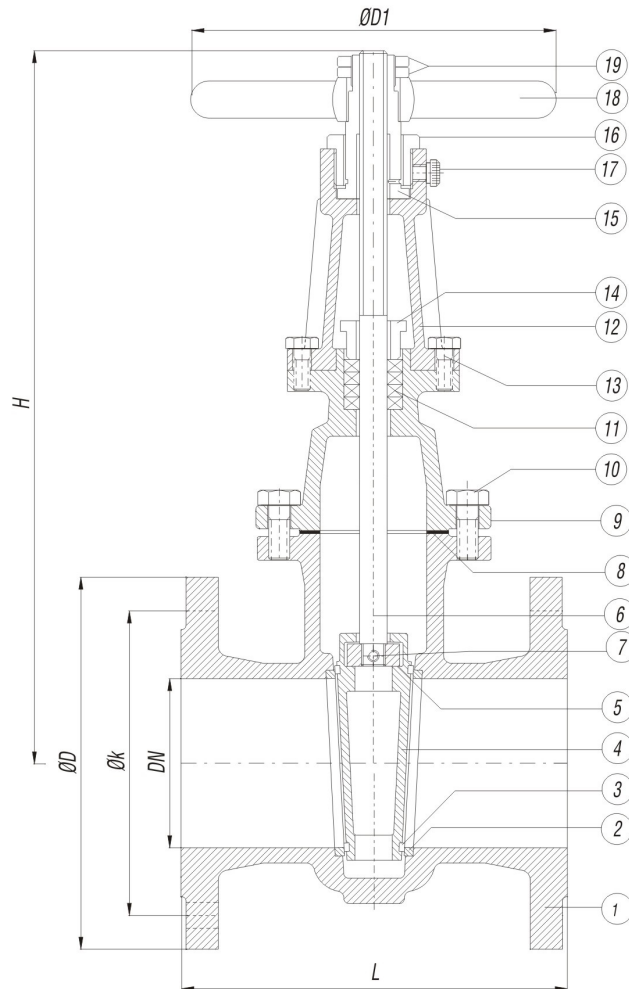
YÜKSELEN MİLLİ SÜRGÜLÜ VANA PN 16



RISING STEM GATE VALVE
PN 16/10
TS 457/2
DIN 3352/3-F5(DIN 3225)
DN 40...600

YÜKSELEN MİLLİ
PN 16/10
TS 457/2
DIN 3352/3-F5(DIN 3225)
DN 40...600

NO	PART NAME	PARÇA ADI	MATERIAL / MALZEME
1	Body	Gövde	GG 25 / GGG-40
2	Body seat	Gövde Burcu	Ms 58/Bronze/S.S.
3	Wedge	Sürgü	GG 25 / GGG-40
4	Wedge seat	Sürgü Burcu	Ms 58/Bronze/S.S.
5	Wedge Nut	Sürgü Somunu	Ms 58/Bronze/GGG 40
6	Stem	Mil	Ms 58/Bronze/S.S.
7	Pin	Sabitleme Pimi	Ms 58/Bronze/S.S.
8	Gasket	Conta	EPDM/FRANZELIT/KLINGERIT
9	Bonnet	Kapak	GG 25 / GGG-40
10	Screw	Civata	5 D/S.S.
11	Packing	Salmastra	Teflon/Grafit
12	Yoke	Boyunduruk	GG 25 / GGG-40
13	Screw	Civata	5 D/S.S.
14	Packing nut	Salmastra Baskısı	GG 25 / GGG-40
15	Yoke nut	Mil Yatağı	Ms 58/Bronze/GGG 40
16	Centering nut	Mil Yatağı Somunu	Ms 58/Bronze/S.S.
17	Oil nipple	Gresörlük	St
18	Handwheel	Volan	GG 20
19	Handwheel nut	Volan Somunu	Ms 58/Bronze/S.S.



Nominal Pressure / Anma Basıncı	PN	10/16													
Nominal Diameter / Anma Çapı	DN	40	50	65	80	100	125	150	200	250	300	350	400	500	600
Valve Dimensions Boyut Ölçüleri DIN3352/3-F5 TS 457/2	L	240	250	270	280	300	325	350	400	450	500	550	600	700	800
	H min.	365	380	450	470	580	650	725	815	1135	1220	1320	1530	1915	2070
	H max.	425	450	540	560	690	790	895	1030	1430	1545	1700	1970	2465	2720
	D1	200		250		315		400		500		630		800	
Flange Dimensions / Flanş Ölçüleri DIN 2501/TS 810 PN 10	D	150	165	185	200	220	250	285	340	395	445	505	565	670	780
	k	110	125	145	160	180	210	240	295	350	400	460	515	620	720
Flange Dimensions / Flanş Ölçüleri DIN 2501/TS 810 PN 16	D	150	165	185	200	220	250	285	340	405	460	520	580	715	840
	k	110	125	145	160	180	210	240	295	355	410	470	525	650	770
Weight / Ağırlık	kg	19	21.5	30	34.5	46	57	71	148	205	285	380	535	860	1160

ООО «ТИ-СИСТЕМС» ИНЖИНИРИНГ И ПОСТАВКА ТЕХНОЛОГИЧЕСКОГО ОБОРУДОВАНИЯ

Интернет: www.tisys.ru www.tisys.kz www.tisys.by www.tesec.ru www.ti-sistemc.pф

Телефоны: +7 (495) 7774788, 7489626, (925) 5007155, 54, 65 Эл. почта: info@tisys.ru info@tisys.kz info@tisys.by

RISING STEM GATE VALVE

YÜKSELEN MİLLİ SÜRGÜLÜ VANA

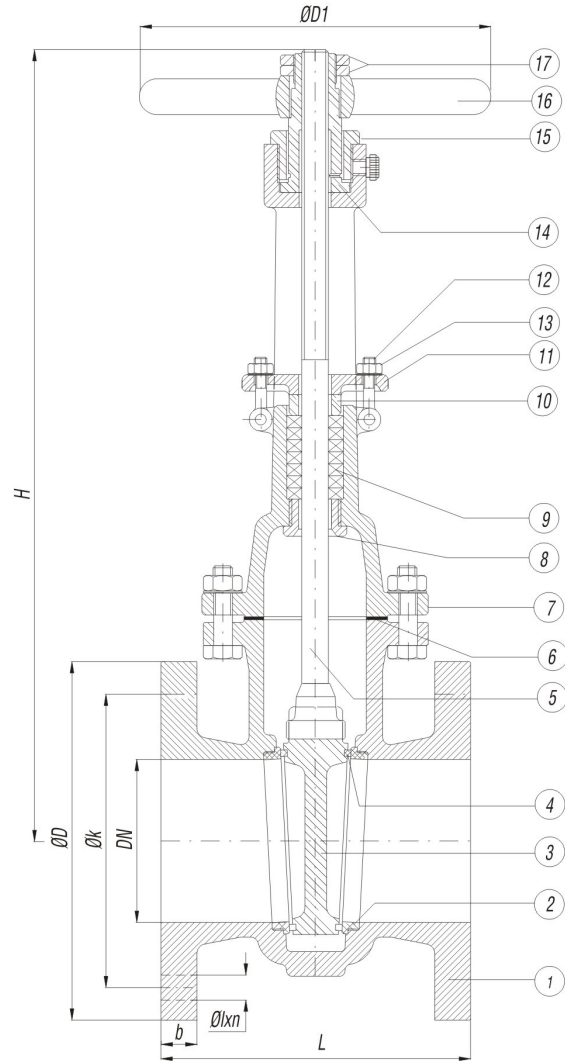
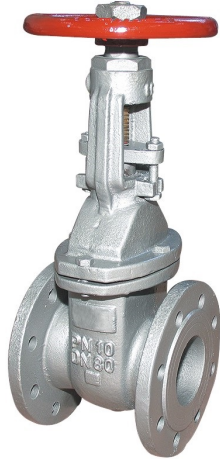


RISING STEM GATE VALVE
CLASS 125
API 595
ANSI B16.10
ANSI B16.1 Flanş/Flange

YÜKSELEN MİLLİ
CLASS 125
API 595
ANSI B16.10
ANSI B16.1 Flanş/Flange

PROPERTIES / ÖZELLİKLER

Flanged (FLGD) Flanş Bağlantılı (FLGD)
Flat Face (FF) Düz Fatura Yüzeyleli (FF)
Conical Wedge, Bolted Bonnet (BB) Konik sürgülü, Cıvatalı Kapak (BB)
Rising Stem (RS) Yükselen Millî (RS)
Nonrising Handwheel (NRH) Yükselmeyen Volanlı (NRH)
Outside screw and yoke (OSY) Dıştan Vidalı Boyunduruklı (OSY)
Bolted Gand (BG) Cıvatalı Glendli (BG)
Renewable seat ring Değişebilir Sitringli



NO	PART NAME	PARÇA ADI	MATERIAL / MALZEME
1	Body	Gövde	Cast Iron A 126 Gr. B / Demir Döküm
2	Body seat	Gövde Burcu	Cast Brass B62 / Bronz Döküm
3	Wedge	Sürgü	Cast Iron A 126 Gr. B / Demir Döküm
4	Wedge seat	Sürgü Burcu	Cast Brass B62 / Bronz Döküm
5	Stem	Mill	Brass / Pirinç
6	Gasket	Conta	Compressed Asbestos (CAF) / Kompres Asbest
7	Bonnet	Kapak	Cast Iron A 126 Gr. B / Demir Döküm
8	Back Seat	Geri Ring	Brass B16 / Pirinç
9	Packing	Salmastra	Asbestos Braided with Graphite / Grafit Örgülü Asbest
10	Packing nut	Salmastra Baskısı	Brass / Pirinç
11	Gland flange	Baskı flanşı	Carbon Steel A 216 Gr. WCB / Çelik Döküm
12	Stud	Saplama	Steel A 307 Gr. B / Çelik
13	Nut	Somun	Steel A 307 Gr. B / Çelik
14	Yoke nut	Mill Yatağı	Bronze / Bronz
15	Centering nut	Mill Yatağı Somunu	Ductile Iron / Sfero Döküm
16	Handwheel	Volan	Ductile Iron / Sfero Döküm
17	Handwheel nut	Volan Somunu	Steel / Çelik

Nominal Pressure / Anma Basıncı	PN	CLASS 125													
Nominal Diameter / Anma Çapı	DN	50	65	80	100	125	150	200	250	300	350	400	450	500	600
Valve Dimensions Boyut Ölçüleri ANSI B16.10	L	178	190.5	203	228.6	254	267	292	330	355.6	381	406	432	457	508
	H	390	445	505	595	620	780	1095	1290	1450	1550	1729	1895	2080	2520
	ØM	200		230	250		355		450	500	600		660		
Flange Dimensions Flanş Ölçüleri ANSI B16.1 CLASS 125	D	152.5	178	190.5	228.6	254	279.5	343	406.5	483	533.5	597	635	698.5	813
	k	120.7	139.7	152.4	190.5	216	241.3	298.5	362	431.8	476.5	539.8	577.9	635	749.3
	b	16	17.5	19	24	24	25.5	28.5	30.2	32	35	36.5	40	43	48
	Ølxn	Ø19x4			Ø19x8		Ø22x8		Ø25.5x12		Ø28.5x12		Ø28.5x16		Ø32x16
Weight / Ağırlık	Kg	22	28	30	47	70	78	130	230	280	380	540	620	810	1480

ООО «ТИ-СИСТЕМС» ИНЖИНИРИНГ И ПОСТАВКА ТЕХНОЛОГИЧЕСКОГО ОБОРУДОВАНИЯ

Интернет: www.tisys.ru www.tisys.kz www.tisys.by www.tesec.ru www.ti-sistemc.pф

Телефоны: +7 (495) 7774788, 7489626, (925) 5007155, 54, 65 Эл. почта: info@tisys.ru info@tisys.kz info@tisys.by

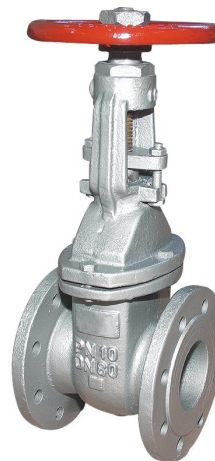
RISING STEM GATE VALVE

YÜKSELEN MİLLİ SÜRGÜLÜ VANA

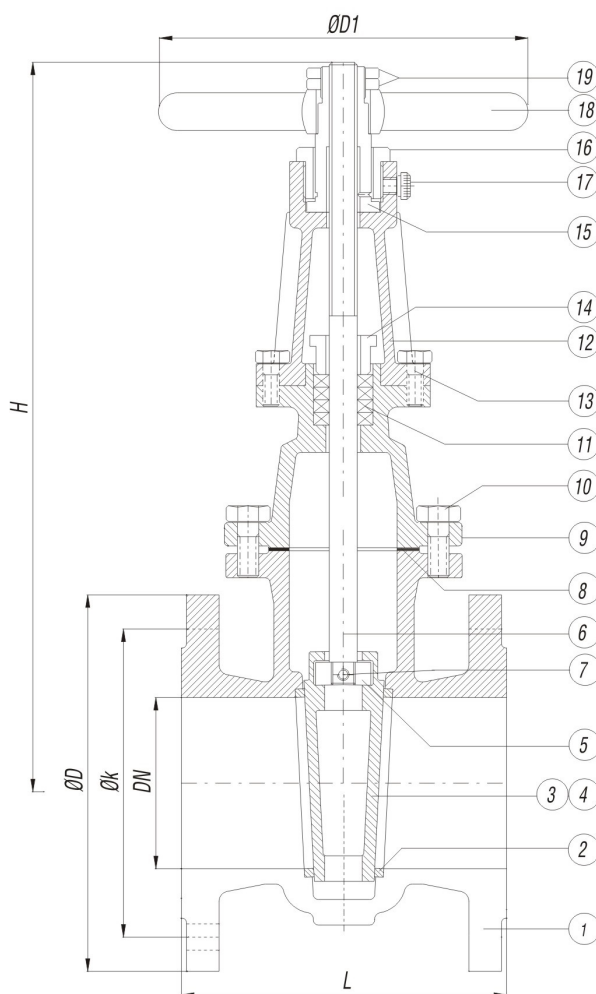
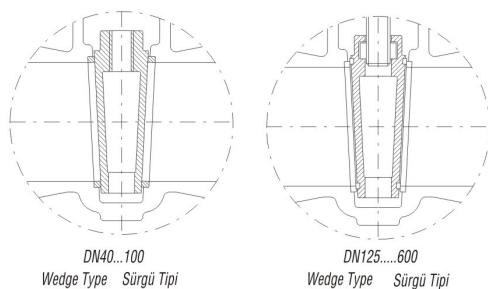


RISING STEM GATE VALVE PN 10/6
TS 457/2a
DIN 3352/3-F4(DIN 3216)
DN 40...600

YÜKSELEN MİLLİ PN 10/6
TS 457/2a
DIN 3352/3-F4(DIN 3216)
DN 40...600



NO	PART NAME	PARÇA ADI	MATERIAL / MALZEME
1	Body	Gövde	GG 25 / GGG-40
2	Body seat	Gövde Burcu	Ms 58/Bronze/S.S.
3	DN40...100 Wedge	DN40...100 Sürgü	Ms 58/Bronze/S.S.
	DN125...600 Wedge	DN125...600 Sürgü	GG 25 / GGG-40
4	Wedge seat	Sürgü Burcu	Ms 58/Bronze/S.S.
5	Wedge Nut Only 125...600	Sürgü Somunu Sadece 125...600	Ms 58/Bronze/GGG 40
6	Stem	Mil	Ms 58/Bronze/S.S.
7	Pin	Sabitleme Pimi	Ms 58/Bronze/S.S.
8	Gasket	Conta	EPDM/FRANZELİT/KLINGERİT
9	Bonnet	Kapak	GG 25 / GGG-40
10	Screw	Çivata	5 D/S.S.
11	Packing	Salmastra	Teflon/Grafit
12	Yoke	Boyunduruk	GG 25 / GGG-40
13	Screw	Çivata	5 D/S.S.
14	Packing nut	Salmastra Baskısı	GG 25 / GGG-40
15	Yoke nut	Mil Yatağı	Ms 58/Bronze/GGG 40
16	Centering nut	Mil Yatağı Somunu	Ms 58/Bronze/S.S.
17	Oil nipple	Gresörlük	St
18	Handwheel	Volan	GG 20
19	Handwheel nut	Volan Somunu	Ms 58/Bronze/S.S.



Nominal Pressure / Anma Basıncı	PN	10							6					4			2.5	
Nominal Diameter / Anma Çapı	DN	40	50	65	80	100	125	150	200	250	300	350	400	500	600			
Valve Dimensions Boyut Ölçüleri DIN3352/3-F4 TS 457/2a	L	140	150	170	180	190	200	210	230	250	270	290	310	350	390			
	H min.	350	360	470	470	580	650	725	815	950	1080	1225	1390	1670	1920			
	H max.	410	470	560	560	690	790	895	1030	1220	1405	1595	1810	2195	2550			
	D1	160			200			250			315		400		500			
Flange Dimensions / Flanş Ölçüleri DIN 2501/TS 810 PN 10	D	150	165	185	200	220	250	285	340	395	445	505	565	670	780			
	k	110	125	145	160	180	210	240	295	350	400	460	515	620	720			
Weight / Ağırlık	kg	11	15	19.5	24	30	44	59	106	158	232	200	310	450	600			

ООО «ТИ-СИСТЕМС» ИНЖИНИРИНГ И ПОСТАВКА ТЕХНОЛОГИЧЕСКОГО ОБОРУДОВАНИЯ

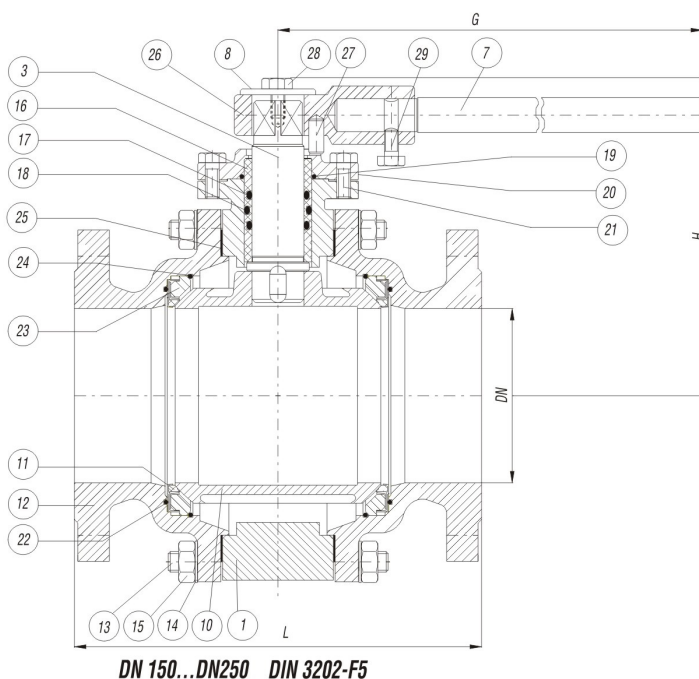
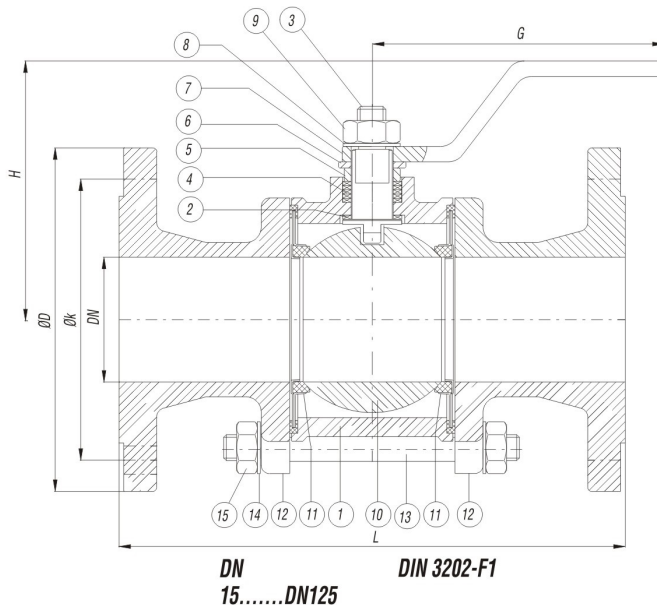
Интернет: www.tisys.ru www.tisys.kz www.tisys.by www.tesec.ru www.ti-sistemc.pф

Телефоны: +7 (495) 7774788, 7489626, (925) 5007155, 54, 65 Эл. почта: info@tisys.ru info@tisys.kz info@tisys.by

BALL VALVE FULL BORE TAM GEÇİŞLİ KÜRESEL VANA



FULL BORE	DÜZ GEÇİŞLİ
PN 16	PN 16
TS 3148/17 DIN 3357	TS 3148/17 DIN 3357
DN 15....200	DN 15....200
BBFT No:210-700	BBFT No:210-700
210-790	210-790



NO	PART NAME	PARÇA ADI	MATERIAL / MALZEME
1	Body	Gövde	GG 25/GGG-40/50
2	Gasket	Alt teflonu	PTFE
3	Stem	Mil	AISI304/AISI316
4	Gasket	Teflon Ring	PTFE
5	Gland bush	Baskı burcu	Ms-58/AISI304
6	Stopper	Hareket pulu	St-37/AISI304
7	Lever	Kol	St-37/AISI304
8	Washer	Rondela	St-37/AISI304
9	Nut	Somun	5 D/S.S
10	Ball	Küre	AISI304
11	Spring seal	Tabak yay	AISI304+PTFE
12	Flange	Yan flanş	GG 25/GGG-40/50
13	Stud	Saplama	5.6
14	Washer	Rondela	St-37/AISI304
15	Nut	Somun	5 D/S.S
16	Stem bush	Mil Yatağı	PTFE
17	O-Ring	O-Ring	EPDM
18	O-Ring	O-Ring	EPDM
19	O-Ring	O-Ring	EPDM
20	Bonnet	Kapak	GG 25/GGG-40/50
21	Bolt	Civata	5 D/S.S
22	O-Ring	O-Ring	EPDM
23	Support ring	Destek Ringi	GG 25/GGG-40/50
24	Safety wire	Emniyet Teli	AISI304
25	Gasket	Conta	Klingerit/Franzelit
26	Lever adaptor	Kol adaptörü	GGG-40/50
27	Pin	Hareket pimi	AISI304
28	Washer	Rondela	St-37/AISI304
29	Bolt	Civata	5 D/S.S

Nominal Diameter / Anma Çapı	DN	15	20	25	32	40	50	65	80	100	125	150	200
Valve Dimensions / Vana Boyutları TS 3148/17 DIN 3357	L	130	150	160	180	200	230	290	310	350	400	350	400
	G max.	160	180	180	250	300	320	350	450	500	700	700	1000
	H max.	95	110	115	130	135	145	155	195	220	265	300	380
Flange Dimensions / Flanş Ölçüleri TS810/DIN2501 PN 16	D	95	105	115	140	150	165	185	200	220	250	285	340
	k	65	75	85	100	110	125	145	160	180	210	240	295
Weight / Ağırlık	kg	2.3	3.8	4	6.5	8.55	13.55	20.15	29.5	40.3	68	86	116

ООО «ТИ-СИСТЕМС» ИНЖИНИРИНГ И ПОСТАВКА ТЕХНОЛОГИЧЕСКОГО ОБОРУДОВАНИЯ

Интернет: www.tisys.ru www.tisys.kz www.tisys.by www.tesec.ru www.ti-sistemc.pф

Телефоны: +7 (495) 7774788, 7489626, (925) 5007155, 54, 65 Эл. почта: info@tisys.ru info@tisys.kz info@tisys.by

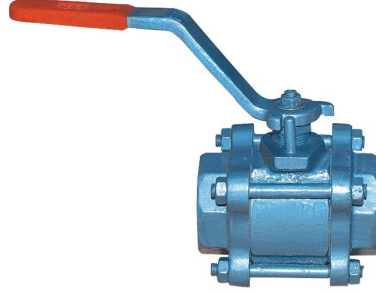
BALL VALVES KÜRESEL VANALAR

Full bore(Threaded) / Reduced bore(Threaded)
Tam geçişli dişli / Redüksiyon geçişli dişli

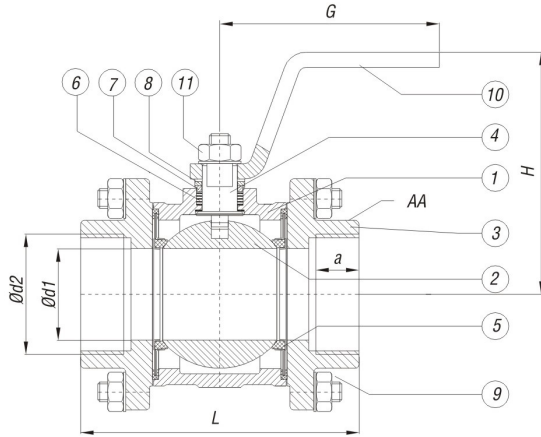


Anma Çapı	: DN 1/2"/10....DN 2 1/2"/50	Size	: DN 1/2"/10....DN 2 1/2"/50
	DN 3/8"....DN 1 1/2"		DN 3/8"....DN 1 1/2"
Anma Basıncı	: PN16,PN40,PN63	Pressure	: PN16,PN40,PN63
Boyutlar	: TS 3148	Ends	: DIN 2999(Dişli)
Bağlantılar	: DIN 2999(DİŞLİ)	Temperature	: -30°C +250 °C
Sıcaklık	: -30°C +250 °C		

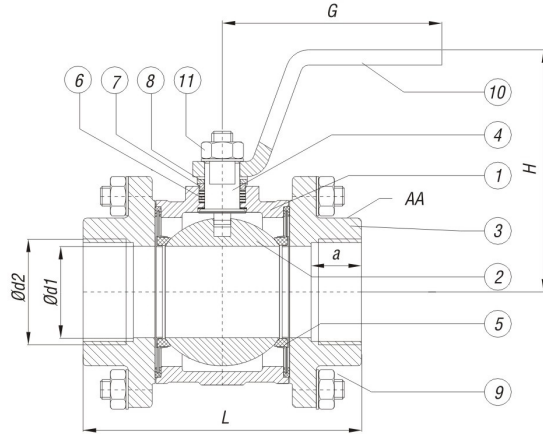
NO	PART NAME	PARÇA ADI	MATERIAL / MALZEME
01	Body	Gövde	GG 25/GGG 40/GS-C 25
02	BALL	Küre	1.4301
03	Flange	Flanş	GG 25/GGG 40/GS-C 25
04	Spindle	Mil	1.4021
05	Seat	Tabak yay	PTFE+1.4301
06	Packing	Conta	PTFE+1.4301
07	Gland	Baskı	Ms 58
08	Stopper	Hareket pulu	St 37
09	Stud	Saplama	5.6
10	Lever	Kol	St
11	Nut	Somun	8



**REDUKSIYON GEÇİŞLİ
REDUCED BORE VRDK-16**

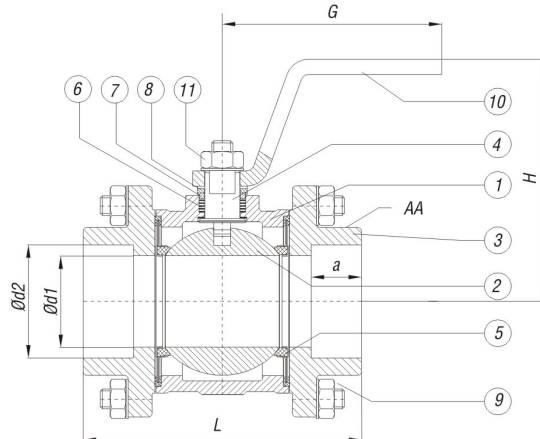


**TAM GEÇİŞLİ
FULL BORE VTDK-16**



	Boyutlar	Bağlantı Özellikleri							
		DN	L	H	G	AA	d1	d2	a
REDUKSIYON GEÇİŞLİ REDUCED BORE	1/2"/10	70	89	130	27	10	R 1/2"	15.5	0.65
	3/4"/15	75	93	130	32	15	R 3/4"	16.0	1.3
	1"/20	95	110	160	41	20	1"	19.0	1.5
	1 1/4"/25	105	113	160	50	25	R1 1/4"	19.0	2.2
	1 1/2"/32	110	127	200	55	32	R1 1/2"	19.0	3.8
	2"/40	125	134	200	70	40	R2"	20.0	4.5
TAM GEÇİŞLİ FULL BORE	2 1/2"/50	188	165	280	95	50	R2 1/2"	38.0	11
	1/4"/10	70	89	130	27	10	R 1/4"	10.5	0.60
	3/8"	70	89	130	27	10	R 3/8"	11.5	0.60
	1/2"	75	93	130	32	15	R 1/2"	15.5	0.70
	3/4"	95	110	160	41	20	R 3/4"	16.0	1.2
	1"	105	113	160	50	25	R1"	19.0	1.8
SOKETLİ SOCKEDED	1 1/4"	110	127	200	55	32	R1 1/4"	19.0	3.3
	1 1/2"	125	134	200	70	40	R1 1/2"	19.0	3.7
	2"	150	141	280	75	50	R2"	20.0	5
	3/8"	70	89	130	27	10	17.6	10	0.70
	1/2"	75	93	130	32	15	21.8	10	1
	3/4"	95	110	160	41	20	27.1	13	1.5
	1"	105	113	160	50	25	33.8	13	3
	1 1/4"	110	127	200	55	32	42.6	13	3.5
	1 1/2"	125	134	200	70	40	48.7	13	4.4

**SOKETLİ
SOCKEDED VTSK-16**



ООО «ТИ-СИСТЕМС» ИНЖИНИРИНГ И ПОСТАВКА ТЕХНОЛОГИЧЕСКОГО ОБОРУДОВАНИЯ

Интернет: www.tisys.ru www.tisys.kz www.tisys.by www.tesec.ru www.ti-sistemc.pф

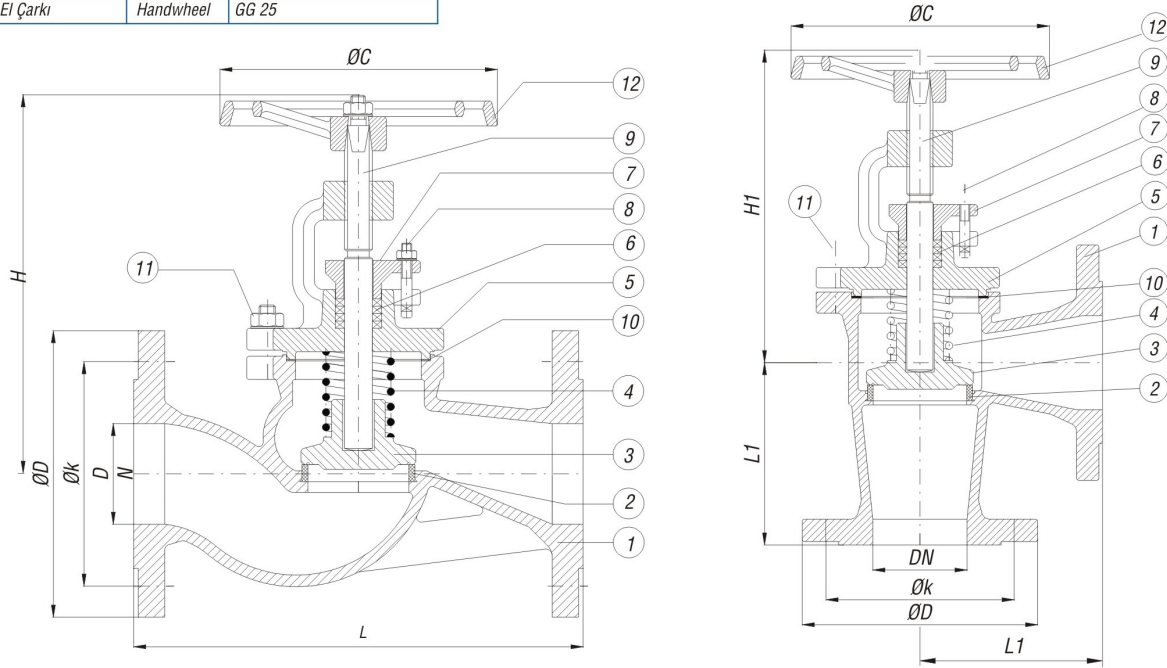
Телефоны: +7 (495) 7774788, 7489626, (925) 5007155, 54, 65 Эл. почта: info@tisys.ru info@tisys.kz info@tisys.by

CONTROLLED CHECK VALVE(SDNR) STRAIGHT FORM VKCD 16 - ANGLE FORM
KUMANDALI ÇEK VALF

DÜZ TİP VKCD-16 - AÇILI TİP



NO.	PARÇA ADI	PART NAME	MATERIAL / MALZEME
01	Gövde	Body	GG 25/GGG-40/GS-C 25
02	Burc	Seat ring	1.4301/BRONZE
03	Klape	Disc	1.4301/BRONZE
04	Yay	Spring	1.4301
05	Kapak	Bonnet	GG 25/GGG-40/GS-C 25
06	Salmastra	Packing	Graphite
07	Sal.baskısı	Gland	GG 25/GGG-40/GS-C 25
08	T Saplama Somun	T stud,nut	5.6-8
09	Mil	Spindle	1.4021/Cu Sn8
10	Conta	Gasket	Klingerite/Asberit
11	Saplama Somun	Stud,nut	5.6-8
12	El Çarkı	Handwheel	GG 25



DN	L	L1	H	H1	Strok	ØC	PN16				PN40			
							ØD	Øk	Ağırlık kg		ØD	Øk	Ağırlık kg	
									Düz Tip Straight	Açılı Tip Angle			Düz Tip Straight	Açılı Tip Angle
15	130	90	185	155	7	120	95	65	3.6	4	95	65	4.7	4
20	150	95	185	155			105	75	4.25	4.5	105	75	5.1	5
25	160	100	195	170	9	140	115	85	5.15	5.5	115	85	6.2	6
32	180	105	205	175	11		140	100	6.75	7	140	100	7.2	8
40	200	115	230	195	15	160	150	110	9.60	11	150	110	11.5	13
50	230	125	240	205	18		165	125	12	13.5	165	125	13.2	15
65	290	145	275	225	23	180	185	145	16.4	19	185	145	21.3	23
80	310	155	290	250	28	200	200	160	23.2	24	200	160	26.7	27
100	350	175	350	305	35	225	220	180	33	33	235	190	36.3	39
125	400	200	410	315	43	250	250	210	55	48	270	220	60.5	58
150	480	225	430	380	50	300	285	240	87.5	62	300	250	100.6	75
200	600	275	580	425	68	400	340	295	136	128	375	320	163.2	155
250	730	325	710	470	80	520	405	355	212	135	450	385	254.5	162
300	850	375	780	675	100		460	410	300	270	515	450	360	320

ООО «ТИ-СИСТЕМС» ИНЖИНИРИНГ И ПОСТАВКА ТЕХНОЛОГИЧЕСКОГО ОБОРУДОВАНИЯ

Интернет: www.tisys.ru www.tisys.kz www.tisys.by www.tesec.ru www.ти-системс.рф

Телефоны: +7 (495) 7774788, 7489626, (925) 5007155, 54, 65 Эл. почта: info@tisys.ru info@tisys.kz info@tisys.by

BUTTERFLY VALVE WAFER TYPE

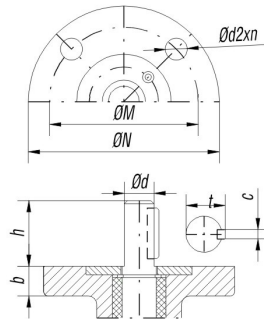
KELEBEK VANA WAFER TİPİ



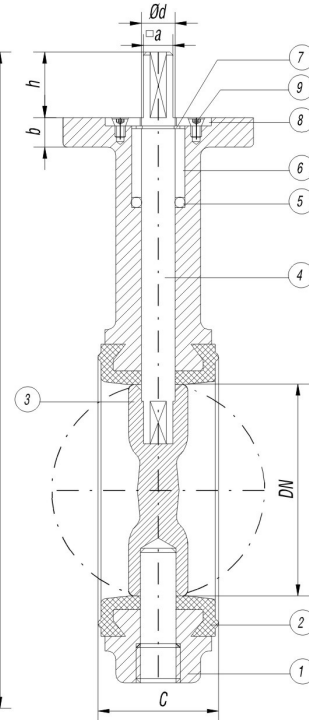
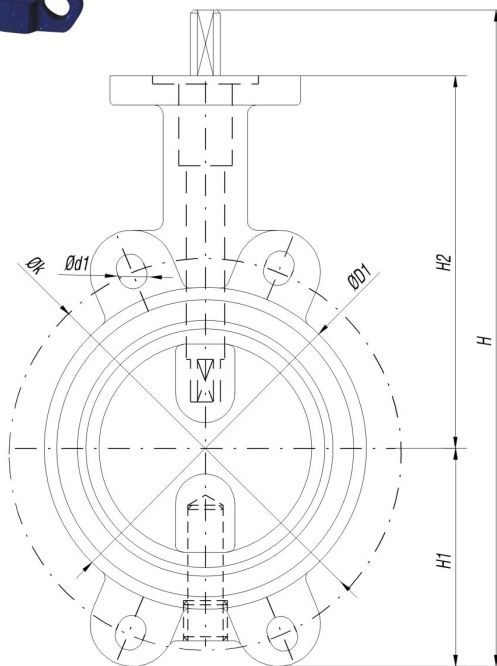
BUTTERFLY VALVE WAFER TYPE KELEBEK VANA WAFER TİPİ
 PN 16 PN 16
 TS 11341, DIN 3337/K1 TS 11341, DIN 3337/K1
 DN 50....DN 600 DN 50....DN 600



NO	PART NAME	PARÇA ADI	MATERIAL / MALZEME
1	Body	Gövde	GG 25/GGG-40/50 GS-C 25/AISI 304
2	Gasket	Gövde yatağı	EPDM,BUNA-N
3	Disc	Klape	GGG-40/AISI 316/BRONZE
4	Stem	Mil	AISI 420/AISI 316
5	O-Ring	O-Ring	EPDM,BUNA-N
6	Gland bush	Baskı burcu	PVC,PTFE
7	Segment	Segman	St
8	Washer	Rondela	St-37
9	Bolt	Civata	5 D/S.S



DN 350....DN 600



Nominal Diameter / Anma Çapı	DN	50 2"	65 2 1/2"	80 3"	100 4"	125 5"	150 6"	200 8"	250 10"	300 12"	350 14"	400 16"	450 18"	500 20"	600 24"
Valve Dimensions Vana Boyutları TS 11341 DIN 3337/K1 ISO 5752/20-5	C	43	46	52	56	60	68	78	78	102	114	127	154		
	H1	67	74	96	110	122	136	160	201	237	267	302	325	362	422
	H2	140	152	159	177	190	203	241	273	311	350	375	400	450	510
	H Kollu Redüktörü	237	254	283	315	340	367	439	512	600					
Top Flange Dimensions Üst Flaş Boyutları ISO 5211/1 DIN 3337	ØD1	94	112	126	152	185	210	262	316	372					
	ØN			90					152			175		210	
	ØM			70					125			140		165	
	Ød2xAd.			Ø10x4					Ø14x4			Ø19x4		Ø23x8	
Stem Dimensions Mil Boyutları DIN 3337 ISO 5211/1	b			12				15.5			20	23	25		
	Ød		Ø14		Ø16			20	22	28	42	48	52	58	68
	a		12		14			17	19	25					
	h			31				38			105		130		
Flange Dimension Flaş Ölçüleri TS810/DIN2501	t										45	51.5	56	62	72.5
	c										12	14	16	18	20
	Øk	110	130	150	170	200	225	280	335	395					
	Ød1xAd.		14x4			18x4			22x4						
Weight / Ağırlık	Øk	125	145	160	180	210	240	295	350	400	460	515	565	620	725
	Ød1xAd.		18x4					23x4				27x4		30x4	
	Øk	125	145	160	180	210	240	295	355	410	470	525	585	650	770
	Ød1xAd.		18x4				23x4		27x4			30x4		33x4	36x4
Weight / Ağırlık	kg	3.5	4.0	4.4	6.0	7.3	8.5	15.8	22.4	32.9	54	76	93	133	198

ООО «ТИ-СИСТЕМС» ИНЖИНИРИНГ И ПОСТАВКА ТЕХНОЛОГИЧЕСКОГО ОБОРУДОВАНИЯ

Интернет: www.tisys.ru www.tisys.kz www.tisys.by www.tesec.ru www.ti-sistemc.pф

Телефоны: +7 (495) 7774788, 7489626, (925) 5007155, 54, 65 Эл. почта: info@tisys.ru info@tisys.kz info@tisys.by

BUTTERFLY VALVE LUG TYPE

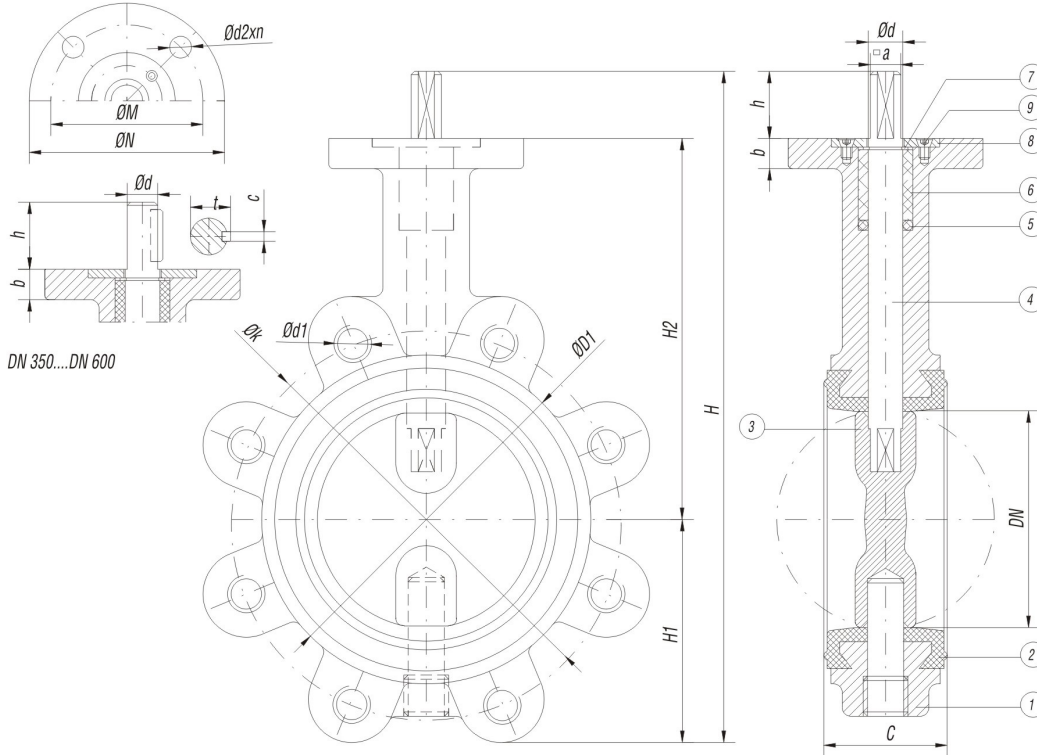
KELEBEK VANA LUG TİPİ



BUTTERFLY VALVE LUG TYPE
KELEBEK VANA LUG TİPİ
PN 16
TS 11341 ,DIN 3337/K1
DN 50....DN 600



NO	PART NAME	PARÇA ADI	MATERIAL / MALZEME
1	Body	Gövde	GG 25/GGG-40/50 GS-C 25/AISI 304
2	Gasket	Gövde yatağı	EPDM,BUNA-N
3	Disc	Klape	GGG-40/AISI 316/BRONZE
4	Stem	Mil	AISI 420/AISI 316
5	O-Ring	O-Ring	EPDM,BUNA-N
6	Gland bush	Baskı burcu	PVC,PTFE
7	Segment	Segman	St
8	Washer	Rondela	St-37
9	Bolt	Civata	5 D/S.S



Nominal Diameter / Anma Çapı	DN	50 2"	65 2 1/2"	80 3"	100 4"	125 5"	150 6"	200 8"	250 10"	300 12"	350 14"	400 16"	450 18"	500 20"	600 24"							
Valve Dimensions Vana Boyutları TS 11341 DIN 3337/K1 ISO 5752/20-5	C	43	46	52	56	60	68	78	78	102	114	127	154									
	H1	67	74	96	110	122	136	160	201	237	267	302	325	362	422							
	H2	140	152	159	177	190	203	241	273	311	350	375	400	450	510							
	H Kollu	237	254	283	315	340	367	439	512	600												
	Redüktörü	275	294	323	355	380	407	480	553	630	784	844	892	1008	1128							
Top Flange Dimensions Üst Flanş Boyutları ISO 5211/1 DIN 3337	$\varnothing N$	90						152			175			210								
	$\varnothing M$	70						125			140			165								
	$\varnothing d2 \times Ad.$	$\varnothing 10 \times 4$						$\varnothing 14 \times 4$			$\varnothing 19 \times 4$			$\varnothing 23 \times 8$								
	b	12						15.5			20		23		25							
Stem Dimensions Mil Boyutları DIN 3337 ISO 5211/1	$\varnothing d$	$\varnothing 14$		$\varnothing 16$			20		22		28		42		48		52		58		68	
	a	12						14			17		19		25							
	h	31						38			105			130								
	t												45		51.5		56		62		72.5	
	c												12		14		16		18		20	
Flange Dimension Flanş Ölçüleri TS810/DIN2501	PN 6	$\varnothing k$	110	130	150	170	200	225	280	335	395											
		$\varnothing d1 \times Ad.$	M12x4		M16x4			M16x8			M16x12	M20x12										
	PN 10	$\varnothing k$	125	145	160	180	210	240	295	350	400	460	515	565	620	725						
		$\varnothing d1 \times Ad.$	M16x4		M16x8			M20x8			M20x12		M20x16	M24x16	M24x20	M27x20						
	PN 16	$\varnothing k$	125	145	160	180	210	240	295	355	410	470	525	585	650	770						
$\varnothing d1 \times Ad.$		M16x4		M16x8			M20x8	M20x12	M24x12		M24x16	M27x16	M27x20	M30x20	M33x20							
Weight / Ağırlık	kg	4.6	5.2	6.8	8.5	10.5	12.5	20.2	29.5	46.5	71	107	140	186	267							

ООО «ТИ-СИСТЕМС» ИНЖИНИРИНГ И ПОСТАВКА ТЕХНОЛОГИЧЕСКОГО ОБОРУДОВАНИЯ

Интернет: www.tisys.ru www.tisys.kz www.tisys.by www.tesec.ru www.ti-sistemc.pф

Телефоны: +7 (495) 7774788, 7489626, (925) 5007155, 54, 65 Эл. почта: info@tisys.ru info@tisys.kz info@tisys.by

KNIFE GATE VALVE

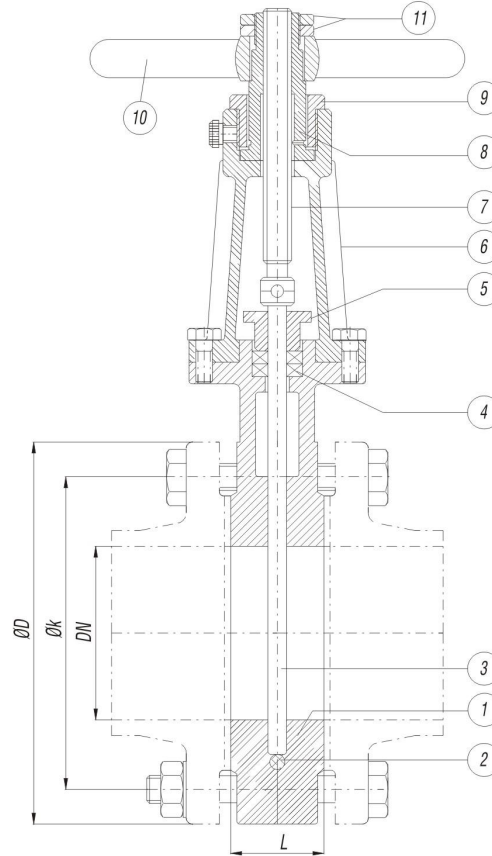
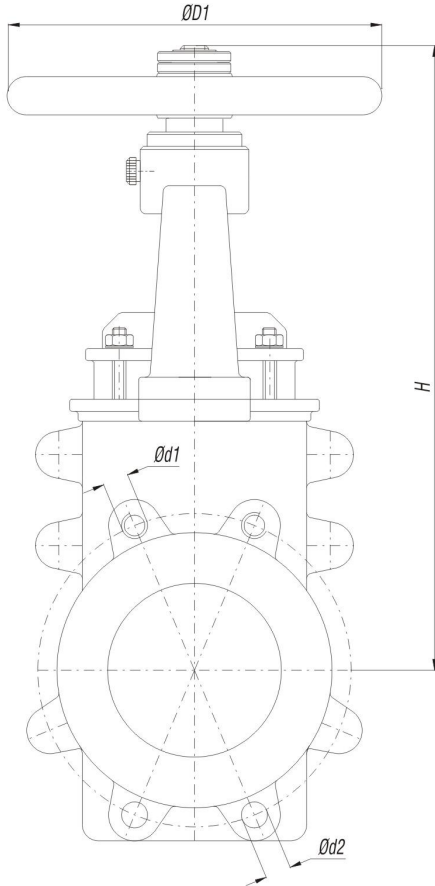
BIÇAK SÜRGÜLÜ VANA



KNIFE GATE VALVE
PN 16/10
TS 810/DIN 2501 FLANŞ
DIN 3202/3-K1
DN 50....600

BIÇAK SÜRGÜLÜ VANA
PN 16/10
TS 810/DIN 2501 FLANŞ
DIN 3202/3-K1
DN 50....600

NO	PART NAME	PARÇA ADI	MATERIAL / MALZEME
1	Body	Gövde	GG 25, GGG-40,GS-C 25
2	Body seal	Conta	Elastomer/EPDM
3	Wedge	Sürgü	AISI 304
4	Packing	Salmastra	PTFE/Grafit
5	Packing nut	Salmastra Baskısı	GG 25, GGG-40,GS-C 25
6	Yoke	Boyunduruk	GG 25, GGG-40,GS-C 25
7	Stem	Mil	AISI 420
8	Yoke nut	Mil Yatağı	Ms 58/Bronze/GGG 40
9	Centering nut	Yatak Somunu	Ms 58/Bronze/S.S.
10	Handwheel	Volan	GG 20
11	Handwheel nut	Volan Somunu	Ms 58/Bronze/S.S.
12	Oil nipple	Gresörlük	St



Nominal pressure / Anma Basıncı	PN	16						10				6		
		50	65	80	100	125	150	200	250	300	350	400	500	600
Nominal Diameter / Anma Çapı	DN	50	65	80	100	125	150	200	250	300	350	400	500	600
	Valve Dimensions	L	43	46	52	56	60	68	78	102	127	154		
	Boyut Ölçüleri DIN3202/3-K1	H	320	325	370	390	450	490	610	720	850	935	1015	1265
Flange Dimensions Flanş Ölçüleri DIN 2501/TS 810 PN 10	ØD	165	185	200	220	250	285	340	395	445	505	565	670	780
	Øk	125	145	160	180	210	240	295	350	400	460	515	620	720
	Ød1xad.	M16x2			M20x2			M20x4	M20x6	M24x6	M27x6	M33x6		
	Ød2xad.	Ø18x2			Ø22x2			Ø22x4		Ø26x6		Ø30x6		
Flange Dimensions Flanş Ölçüleri DIN 2501/TS 810 PN 10 / 16	ØD	165	185	200	220	250	285	340	405	460	520	580	715	840
	Øk	125	145	160	180	210	240	295	355	410	470	525	650	770
	Ød1xad.	M16x2			M20x2			M20x4	M24x4	M24x6	M27x6	M30x6	M33x6	
	Ød2xad.	Ø18x2			Ø22x2			Ø22x4		Ø26x6		Ø30x6		Ø36x6
Weight / Ağırlık	kg	10	11	13	17	20	26	39	64	93	135	165	255	370

ООО «ТИ-СИСТЕМС» ИНЖИНИРИНГ И ПОСТАВКА ТЕХНОЛОГИЧЕСКОГО ОБОРУДОВАНИЯ

Интернет: www.tisys.ru www.tisys.kz www.tisys.by www.tesec.ru www.ти-системс.рф

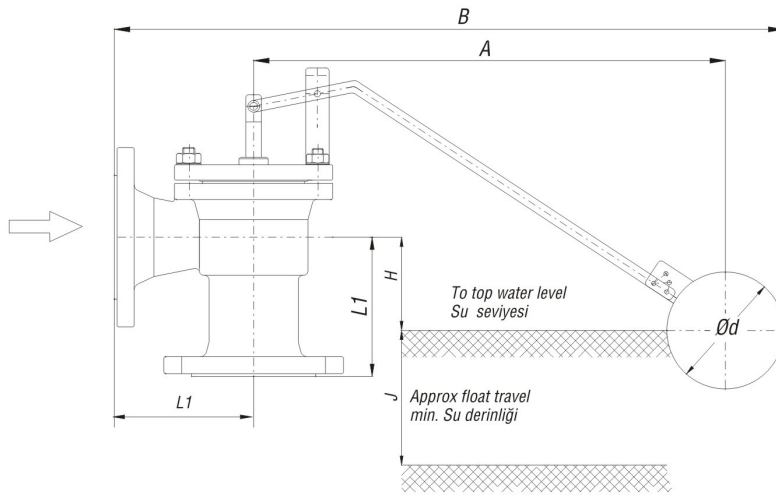
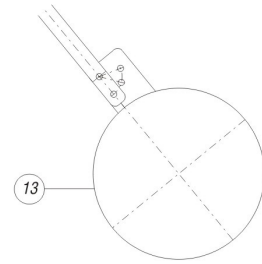
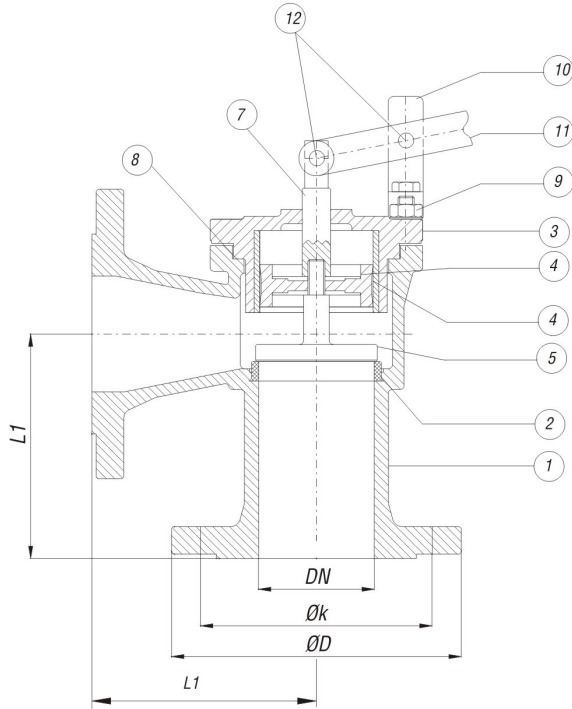
Телефоны: +7 (495) 7774788, 7489626, (925) 5007155, 54, 65 Эл. почта: info@tisys.ru info@tisys.kz info@tisys.by

ANGLE FLOAT VALVES

KÖŞE ŞAMANDIRALI VANA



Size	: DN 40...DN 300	Anma Çapı	: DN 15...DN 300
Pressure	: PN 10	Anma Basıncı	: PN 10
Ends	: DIN 2533(Flange)	Bağlantılar	: TS 810/DIN 2532(Flanş)
Temperature	: +80°C	Sıcaklık	: +80°C
Dimensions	: DIN 3202-F32	Boyutlar	: DIN 3202-F32



NO	PART NAME	PARÇA ADI	MATERIAL / MALZEME
01	Body	Gövde	GG 25/GGG 40
02	Seat Ring	Burç	Ms 58/1.4021
03	Bonnet	Kapak	GG 25/GGG 40
04	Seat	Burç	Ms 58/1.4021
05	Disk	Klape	Ms 58/1.4021
06	Cup Washer	Keçe	St-37 - NBR
07	Spindle	Mil	1.4021
08	Seal	Conta	EPDM
09	Bolt	Civata	8.8
10	Fulcrum	Destek	GG 25/GGG 40
11	Lever	Kol	St 37
12	Pin	Pim	1.4021
13	Float	Küre	Bronze/St 37

Nominal pressure / Anma Basıncı		PN 10 / 16										
Nominal Diameter / Anma Çapı		DN	40	50	65	80	100	125	150	200	250	300
Valve Dimensions Vana Boyutları DIN3202/2-F32	L1	115	125	145	155	175	200	225	275	325	375	
	A	1295	1460	1535	1850	2145	2545	3035				
	B	1555	1740	1855	2260	2675	3070	3620				
	H	172	305	330	340	455						
	J	450	546	700	920	1230	1580					
	Ød	280	320	350	400	500						
Flange Dimensions / Flanş Ölçüleri DIN 2501/TS 810 PN 10	D	150	165	185	200	220	250	285	340	395	445	
	k	110	125	145	160	180	210	240	295	350	400	
Flange Dimensions / Flanş Ölçüleri DIN 2501/TS 810 PN 16	D	150	165	185	200	220	250	285	340	405	460	
	k	110	125	145	160	180	210	240	295	355	410	
Weight / Ağırlık	kg	kg	19	20	30	35	55	70	100	180	270	370

ООО «ТИ-СИСТЕМС» ИНЖИНИРИНГ И ПОСТАВКА ТЕХНОЛОГИЧЕСКОГО ОБОРУДОВАНИЯ

Интернет: www.tisys.ru www.tisys.kz www.tisys.by www.tesec.ru www.ти-системс.рф

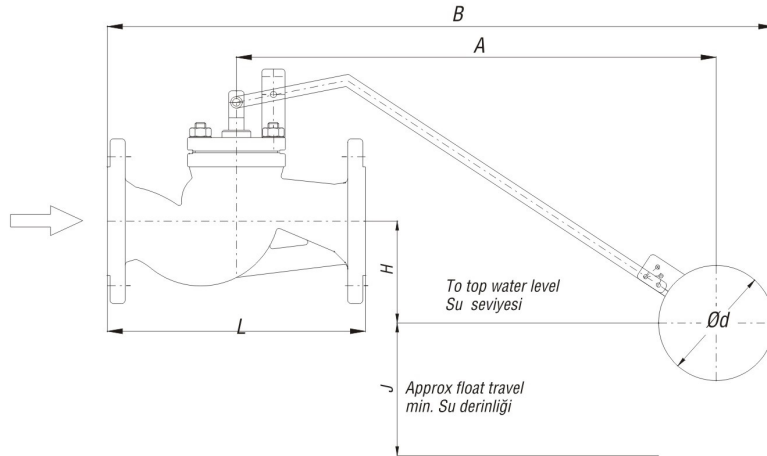
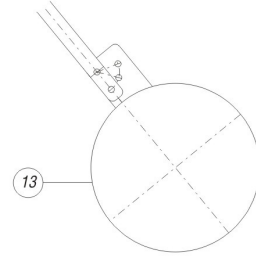
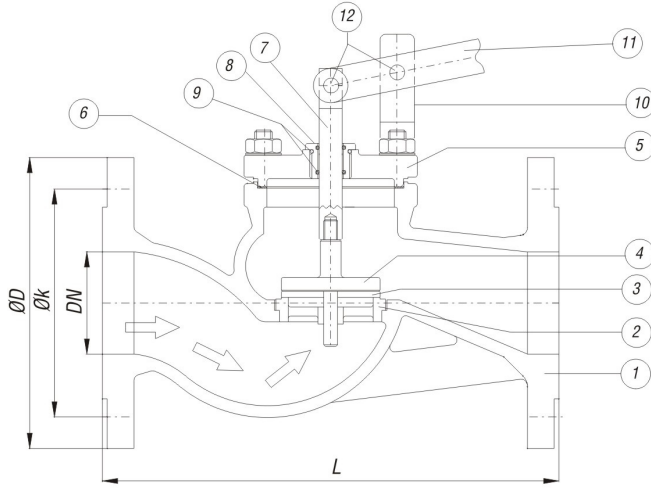
Телефоны: +7 (495) 7774788, 7489626, (925) 5007155, 54, 65 Эл. почта: info@tisys.ru info@tisys.kz info@tisys.by

FLOAT VALVES

ŞAMANDIRALI VANA



Anma Çapı : DN 40....DN 300	Size : DN 40....DN 300
Anma Basıncı : PN 10	Pressure : PN 10
Bağlantılar : TS 810/DIN 2532(Flanş)	Ends : DIN 2533(Flange)
Sıcaklık : +80°C	Temperature : +80°C
Boyutlar : DIN 3202-F1	Dimensions : DIN 3202-F1



NO	PART NAME	PARÇA ADI	MATERIAL / MALZEME
01	Body	Gövde	GG 25/GGG 40
02	Seat Ring	Burç	Ms 58/1.4021
03	Seal	Conta	EPDM
04	Disk	Klape	Ms 58/1.4021
05	Bonnet	Kapak	GG 25/GGG 40
06	Gasket	Conta	EPDM
07	Spindle	Mil	1.4021
08	Packing nut	Mil somunu	Ms 58/1.4021
09	O-Ring	O-Ring	EPDM
10	Fulcrum	Destek	St 37
11	Lever	Kol	St 37
12	Pin	Pim	1.4021
13	Float	Küre	Bronze/AISI 304

Nominal pressure / Anma Basıncı		PN 10 / 16										
Nominal Diameter / Anma Çapı		DN	40	50	65	80	100	125	150	200	250	300
Valve Dimensions Vana Boyutları DIN3202/2-F1		L	200	230	290	310	350	400	480	600	730	850
		A	1295	1295	1460	1460	1535	1850	1850	2145	2345	2995
		B	1562	1562	1755	1755	1890	2305	2305	2995	3150	3700
		H	172	172	305	305	330	340	340	340	455	455
		J	463	463	545	545	546	721	721	907	1150	1502
Ød			280		320		350		400		500	
Flange Dimensions / Flanş Ölçüleri DIN 2501/TS 810 PN 10		D	150	165	185	200	220	250	285	340	395	445
k		110	125	145	160	180	210	240	295	350	400	
Flange Dimensions / Flanş Ölçüleri DIN 2501/TS 810 PN 16		D	150	165	185	200	220	250	285	340	405	460
k		110	125	145	160	180	210	240	295	355	410	
Weight / Ağırlık		kg	19	20	30	35	55	70	100	180	270	370

ООО «ТИ-СИСТЕМС» ИНЖИНИРИНГ И ПОСТАВКА ТЕХНОЛОГИЧЕСКОГО ОБОРУДОВАНИЯ

Интернет: www.tisys.ru www.tisys.kz www.tisys.by www.tesec.ru www.ти-системс.рф

Телефоны: +7 (495) 7774788, 7489626, (925) 5007155, 54, 65 Эл. почта: info@tisys.ru info@tisys.kz info@tisys.by

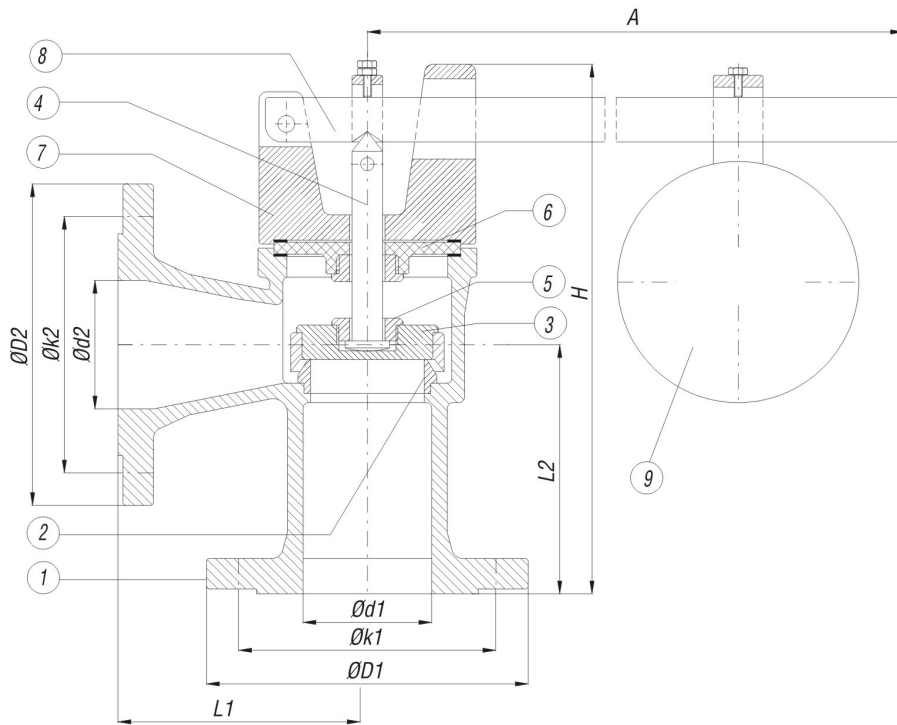
SAFETY VALVES(With weight) EMNİYET VENTİLİ (AĞIRLIKLI)

Full Lift VEAT-16 Proportional Lift Tam Kalkışlı VEAT-16 & Oransal Kalkışlı



Anma Çapı : DN25...DN100 Size : DN25...DN100
Anma Basıncı : PN16 Pressure : PN16
Bağlantılar : DIN 2533(Flans) Ends : DIN 2533 (Flange)
Boyutlar : DIN3356/2-F32-(Açılı) Dimension : DIN3356/2-F32-(Angle)

PARTS	PARÇA ADI	MATERIAL / MALZEME
01	Body	GG 25/GGG-40/GS-C 25
02	Seat ring	Burc
03	Disc	Klape
04	Disc nut	Baskı
05	Spindle	Mil
06	Plate	Kılavuz
07	Bonnet	Kapak
08	Lever	Kol
09	Weight	Ağırlık



Ağırlıklı Tam Kalkışlı - Weight, Full lift

Boyutlar - Dimensions		Bağlantılar - Ends										Ağırlık						
		TS 810 - DIN 2532/DIN 2533			PN 10/PN16			DIN 2544/DIN 2545				PN 25/PN40			Ağırlık			
DN	L1	L2	A	H	Ød1	ØD1	Øk1	Ød2	ØD2	Øk2	Kg	Ød1	ØD1	Øk1	Ød2	ØD2	Øk2	Kg
25	100	115	400	269	25	115	85	40	150	110	9	25	115	85	40	150	110	10
32	110	125	447	285	32	140	100	50	165	125	12	32	140	100	50	165	125	13.5
40	120	135	542	319	40	150	110	65	185	145	14.5	40	150	110	65	185	145	16.5
50	135	150	537	355	50	165	125	80	200	160	19.5	50	165	125	80	200	160	21.5
65	140	155	627	394	65	185	145	100	220	180	27	65	185	145	100	235	190	30
80	150	175	618	453	80	200	160	125	250	210	35	80	200	160	125	270	220	40
100	170	195	655	511	100	220	180	150	285	240	49	100	235	190	150	300	250	55

Ağırlıklı Oransal Kalkışlı-Weight, Proportional lift

Boyutlar - Dimensions		Bağlantılar - Ends										Ağırlık						
		TS 810 - DIN 2532/DIN 2533			PN 10/PN16			DIN 2544/DIN 2545				PN 25/PN40			Ağırlık			
DN	L1	L2	A	H	Ød1	ØD1	Øk1	Ød2	ØD2	Øk2	Kg	Ød1	ØD1	Øk1	Ød2	ØD2	Øk2	Kg
25	100	100	400	242	25	115	85	25	115	85	8	25	115	85	25	115	85	9
32	105	105	447	261	32	140	100	32	140	100	10	32	140	100	32	140	100	11.5
40	115	115	542	286	40	150	110	40	150	110	12.5	40	150	110	40	150	110	14.5
50	125	125	537	301	50	165	125	50	165	125	16	50	165	125	50	165	125	18.5
65	145	145	627	364	65	185	145	65	185	145	22	65	185	145	65	185	145	25.5
80	155	155	618	406	80	200	160	80	200	160	30	80	200	160	80	200	160	33.5
100	175	175	655	461	100	220	180	100	220	180	42	100	235	190	100	235	190	47

ООО «ТИ-СИСТЕМС» ИНЖИНИРИНГ И ПОСТАВКА ТЕХНОЛОГИЧЕСКОГО ОБОРУДОВАНИЯ

Интернет: www.tisys.ru www.tisys.kz www.tisys.by www.tesec.ru www.ti-sistemc.pф

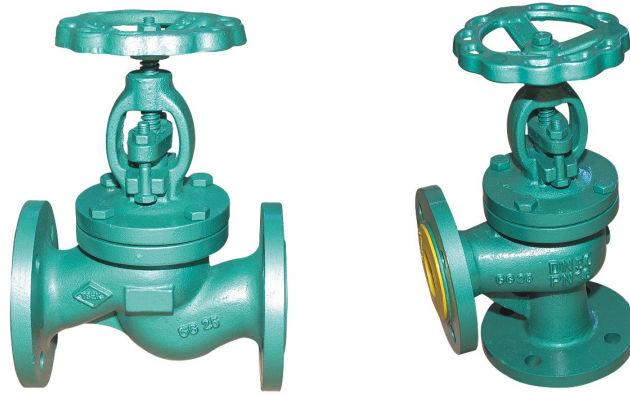
Телефоны: +7 (495) 7774788, 7489626, (925) 5007155, 54, 65 Эл. почта: info@tisys.ru info@tisys.kz info@tisys.by

GLOBE VALVES STRAIGHT FORM VDB-16 & ANGLE FORM

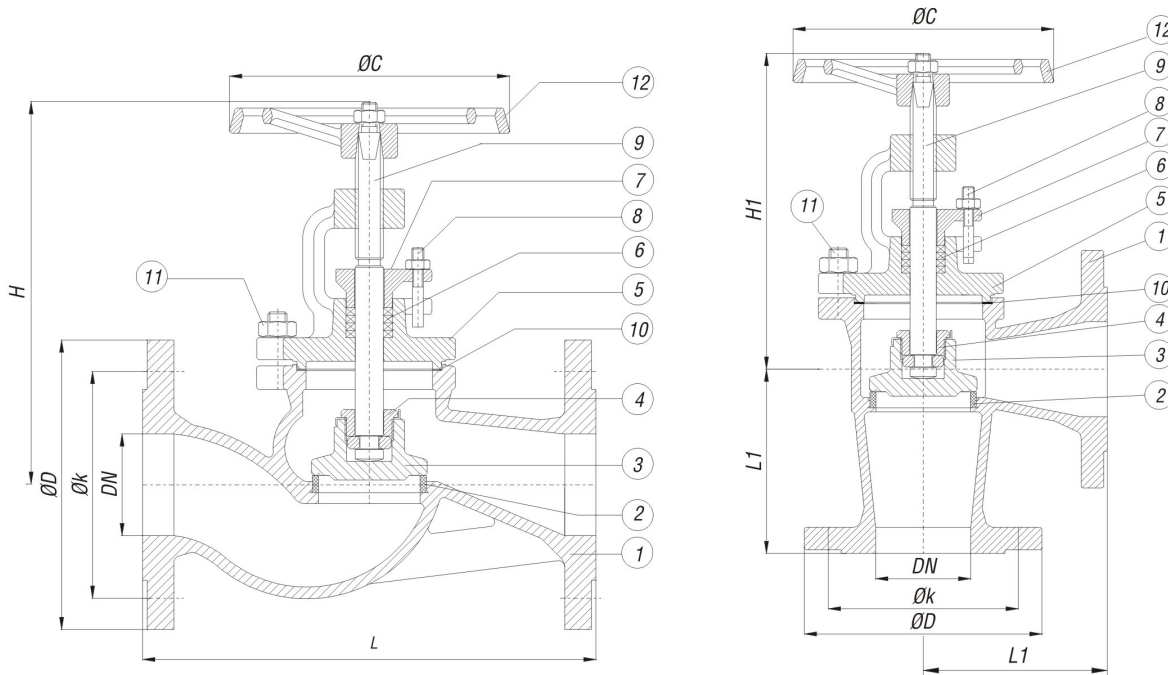
BUHAR VANASI DÜZ TİP VDB-16 & AÇILI TİP VAB-16



Size : DN15...DN300 Anma Çapı : DN15...DN300
 Pressure : PN16 Anma Basıncı : PN16
 Ends : DIN 2533 (Flange) Bağlantılar : DIN 2533 (Flanş)
 Dimension : DIN3356/2-F1-(Straight) Boyutlar : DIN3356/2-F1-(Düz)
 DIN3356/2-F32-(Angle) DIN3356/2-F32-(Açılı)



PARTS	PARÇA ADI	MATERIAL / MALZEME
01	Body	GG 25/GGG-40/GS-C 25
02	Seat ring	1.4301/BRONZE
03	Disc	1.4301/BRONZE
04	Disc nut	Ms 58
05	Bonnet	GG 25/GGG-40/GS-C 25
06	Packing	Salmastra
07	Gland	Sal.baskısı
08	T stud,nut	T Saplama Somun
09	Spindle	Mil
10	Gasket	Conta
11	Stud,nut	Saplama Somun
12	Handwheel	El Çarkı



DN	L	L1	H	H1	Strok	ØC	PN16				PN40			
							ØD	Øk	Ağırlık	kg	ØD	Øk	Ağırlık	kg
15	130	90	185	155	7	120	95	65	3.6	4	95	65	4.7	4
20	150	95	185	155	7	120	105	75	4.25	4.5	105	75	5.1	5
25	160	100	195	170	9	140	115	85	5.15	5.5	115	85	6.2	6
32	180	105	205	175	11	140	140	100	6.75	7	140	100	7.2	8
40	200	115	230	195	15	160	150	110	9.60	11	150	110	11.5	13
50	230	125	240	205	18	160	165	125	12	13.5	165	125	13.2	15
65	290	145	275	225	23	180	185	145	16.4	19	185	145	21.3	23
80	310	155	290	250	28	200	200	160	23.2	24	200	160	26.7	27
100	350	175	350	305	35	225	220	180	33	33	235	190	36.3	39
125	400	200	410	315	43	250	250	210	55	48	270	220	60.5	58
150	480	225	430	380	50	300	285	240	87.5	62	300	250	100.6	75
200	600	275	580	425	68	400	340	295	136	128	375	320	163.2	155
250	730	325	710	470	80	520	405	355	212	135	450	385	254.5	162
300	850	375	780	675	100	520	460	410	300	270	515	450	360	320

ООО «ТИ-СИСТЕМС» ИНЖИНИРИНГ И ПОСТАВКА ТЕХНОЛОГИЧЕСКОГО ОБОРУДОВАНИЯ

Интернет: www.tisys.ru www.tisys.kz www.tisys.by www.tesec.ru www.ti-sistemc.pf

Телефоны: +7 (495) 7774788, 7489626, (925) 5007155, 54, 65 Эл. почта: info@tisys.ru info@tisys.kz info@tisys.by

SWING CHECK VALVE

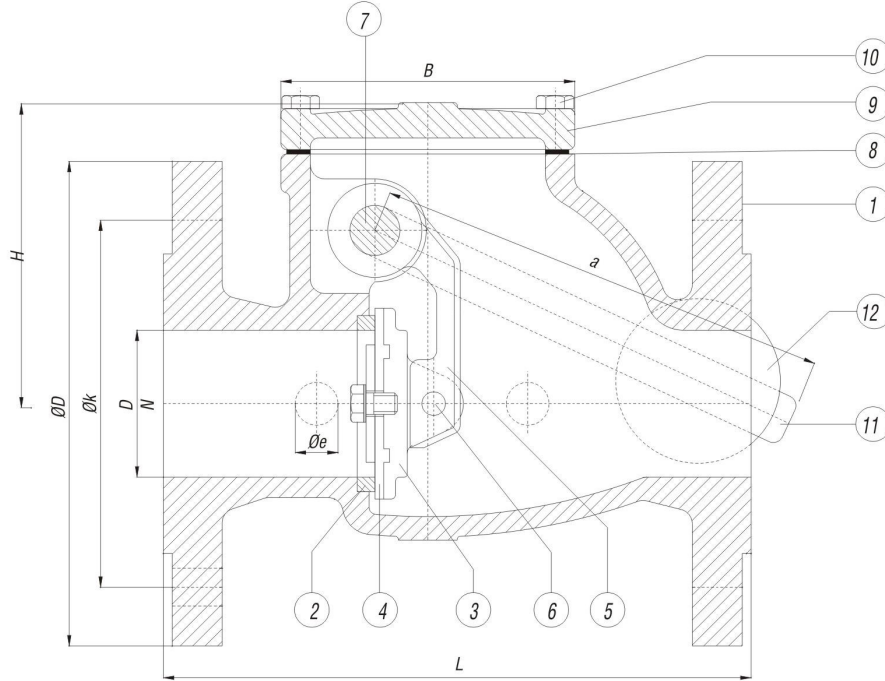
ÇALPARA ÇEKVALF



DISC WITH RUBBER KAUCUKLU KLAPE
 PN 25/16/10/6 PN 25/16/10/6
 TSEK TSEK
 DIN 3202/2-F6 DIN 3202/2-F6
 DN 40....450 DN 40....450
 BBFT No:227-300 BBFT No:227-300



NO	PART NAME	PARÇA ADI	MATERIAL / MALZEME
1	Body	Gövde	GG-25/GGG-40/GS-C 25
2	Body seat	Gövde Burcu	Ms 58/304 /Bronz
3	Disc	Klape	GG-25/GGG-40/GS-C 25
4	Disc seat	Klape burcu	EPDM/304/Bronz
5	Disc arm	Klape kolu	GGG 40/50
6	Pin	Pim	Ms 58/304 /Bronz
7	Stem	Mil	Ms 58/304 /Bronz
8	Gasket	Conta	EPDM/Klingerit
9	Bonnet	Kapak	GG-25/GGG-40/GS-C 25
10	Bolt	Civata	5 D/Pas.Çelik
11	Lever	Kol	GGG 40/50
12	Weihgt	Kol ağırlığı	GG 20



Nominal Pressure / Anma Basıncı	PN	16							10			6		
		40	50	65	80	100	125	150	200	250	300	350	400	450
Nominal Diameter / Anma Çapı	DN	40	50	65	80	100	125	150	200	250	300	350	400	450
Valve Dimensions Vana Boyutları DIN3202/2- F6	L	180	200	240	260	300	350	400	500	600	700	800	900	1000
	H	100	110	130	145	170	195	205	260	340	370	400	450	500
	B	□ 112	□ 152	□ 158	Ø240	Ø275	Ø336	Ø400	Ø450	Ø500	Ø550	Ø600		
	a	200	300	400	500	600								
By-pass		Ø15							Ø25			Ø32		
Flange Dimensions / Flanş Ölçüleri DIN 2501/TS 810 PN 10	D	150	165	185	200	220	250	285	340	395	445	505	565	615
	k	110	125	145	160	180	210	240	295	350	395	460	515	565
Flange Dimensions / Flanş Ölçüleri DIN 2501/TS 810 PN 16	D	150	165	185	200	220	250	285	340	405	460	520	580	640
	k	110	125	145	160	180	210	240	295	355	410	470	525	585
Weight / Ağırlık	kg	10	11.5	16.5	21	27.5	45	65	120	150	200	120	150	200

ООО «ТИ-СИСТЕМС» ИНЖИНИРИНГ И ПОСТАВКА ТЕХНОЛОГИЧЕСКОГО ОБОРУДОВАНИЯ

Интернет: www.tisys.ru www.tisys.kz www.tisys.by www.tesec.ru www.ти-системс.рф

Телефоны: +7 (495) 7774788, 7489626, (925) 5007155, 54, 65 Эл. почта: info@tisys.ru info@tisys.kz info@tisys.by

TILTING TYPE CHECK VALVE

TİLTİNG ÇEK VALF

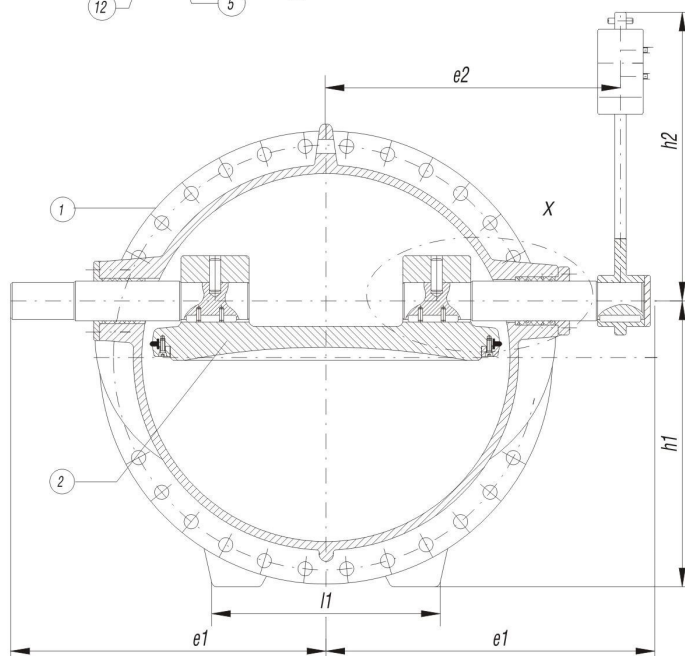
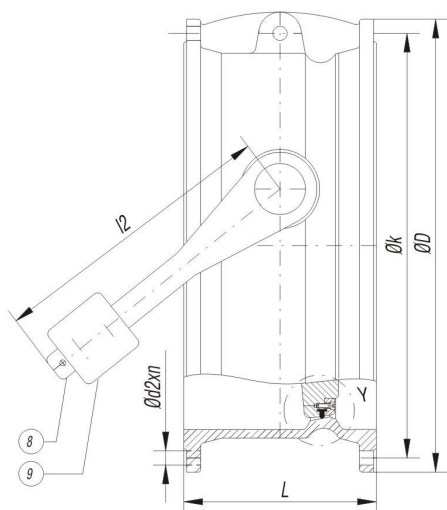
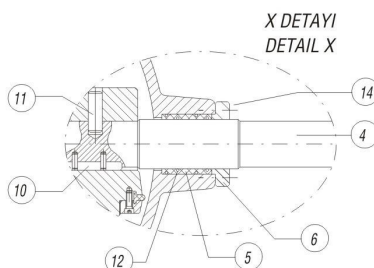
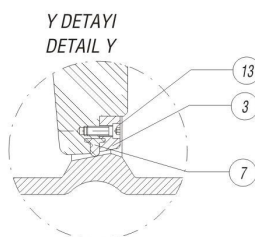


TILTING TYPE CHECK VALVE
PN 10, PN 16, PN 25, PN 40
BS 5155, DIN 3202/2-F4
DN 100...DN 1400

TİLTİNG ÇEK VALF
PN 10, PN 16, PN 25, PN 40
BS 5155, DIN 3202/2-F4
DN 100...DN 1400



NO	PART NAME	PARÇA ADI	MATERIAL / MALZEME
1	Body	Gövde	GGG-50
2	Disc	Klapa	GGG-50
3	Retaining Ring	Baskı Çemberi	St
4	Stem-Driven End	Tahrik Mili	AISI 420(X20 Cr13)
5	Bearing bush	Yatak burcu	Delrin, PTFE
6	Cover-Driven End	Mil Kapağı	GGG-50
7	Sealing Ring	Sızdırmazlık Ringi	EPDM
8	Lever	Kol	Steel St-37
9	Weight	Ağırlık	GG-25
10	Key	Kama	Steel Ck-45
11	Setscrew	Setskur	Stainless Steel - A2
12	O-Ring	O-Ring	EPDM, BUNA-N
13	Screw	İmbus Civata	Stainless Steel - A2
14	Bolt	Civata	5 D



Nominal Diameter / Anma Çapı	DN	100	125	150	200	250	300	350	400	450	500	600	700	800	900	1000	1200	1400																																																																														
Valve Dimensions Vana Boyutları DIN 3202/2-F4 BS 5155	DIN 3202 F4 L	190	200	210	230	250	270	290	310	330	350	390	430	470	510	550	630	710																																																																														
	BS 5155 L	127	140	140	152	165	178	190	216	222	229	267	292	318	330	410	470																																																																															
	e1	192	215	238	263	313	326	388	418	470	495	592	688	715	825	832	1000	1246																																																																														
	e2	160	183	206	231	276	289	346	376	420	453	540	623	656	740	764	900	1100																																																																														
	h1	135	156	180	220	265	305	357	395	440	490	580	635	713	795	890	1042	1200																																																																														
	h2	189				280				372				405				460				555				642				735				830				920				1087				1280																																																		
	l1	200								300								400								450								500								600								700								800								900								1000								1200								1400						
l2	220	250	285	340	260	335	345	375	450	470	545	590	660	720	770	965	965																																																																															
Flange Dimension Flaş Ölçüleri TS810/DIN2501 BS 4504	PN 10	ØD	220	250	285	340	395	445	505	565	615	670	780	895	1015	1115	1230	1455	1675																																																																													
		Øk	180	210	240	295	350	400	460	515	565	620	725	840	950	1050	1160	1380	1590																																																																													
	PN 16	Ød2xn	Ø18x8		Ø22x8		Ø22x12		Ø22x16		Ø26x16		Ø30x20		Ø30x24		Ø33x28		Ø36x28		Ø39x32		Ø43x36																																																																									
		ØD	220	250	285	340	405	460	520	580	640	715	840	910	1025	1125	1255	1485	1685																																																																													
	PN 25	Øk	180	210	240	295	355	410	470	525	585	650	770	840	950	1050	1170	1380	1590																																																																													
		Ød2xn	Ø18x8		Ø22x8		Ø22x12		Ø26x16		Ø30x20		Ø33x20		Ø36x24		Ø39x28		Ø42x28		Ø49x32		Ø49x36																																																																									
	PN 40	ØD	235	270	300	360	425	485	555	620	670	730	845	960	1085	1185	1320	1530	1755																																																																													
		Øk	190	220	250	310	370	430	490	550	600	660	770	875	990	1090	1210	1420	1640																																																																													
	PN 10	Ød2xn	Ø22x8		Ø26x8		Ø26x12		Ø30x12		Ø30x16		Ø33x16		Ø36x20		Ø39x20		Ø42x24		Ø48x24		Ø56x28		Ø62x36																																																																							
		ØD	235	270	300	375	450	515	580	660	685	755	890	995	1140	1250	1360	1575	1795																																																																													
	PN 16	Øk	190	220	250	320	385	450	510	585	610	670	795	900	1030	1140	1250	1460	1680																																																																													
		Ød2xn	Ø22x8		Ø26x8		Ø30x12		Ø33x12		Ø33x16		Ø36x16		Ø39x16		Ø42x20		Ø48x20		Ø56x24		Ø56x28		Ø62x32		Ø62x36																																																																					
	Weight / Ağırlık		kg	20	28	36	50	70	110	145	180	240	280	410	540	680	1050	1250	2100	3400																																																																												

ООО «ТИ-СИСТЕМС» ИНЖИНИРИНГ И ПОСТАВКА ТЕХНОЛОГИЧЕСКОГО ОБОРУДОВАНИЯ

Интернет: www.tisys.ru www.tisys.kz www.tisys.by www.tesec.ru www.ti-sistemc.pф

Телефоны: +7 (495) 7774788, 7489626, (925) 5007155, 54, 65 Эл. почта: info@tisys.ru info@tisys.kz info@tisys.by

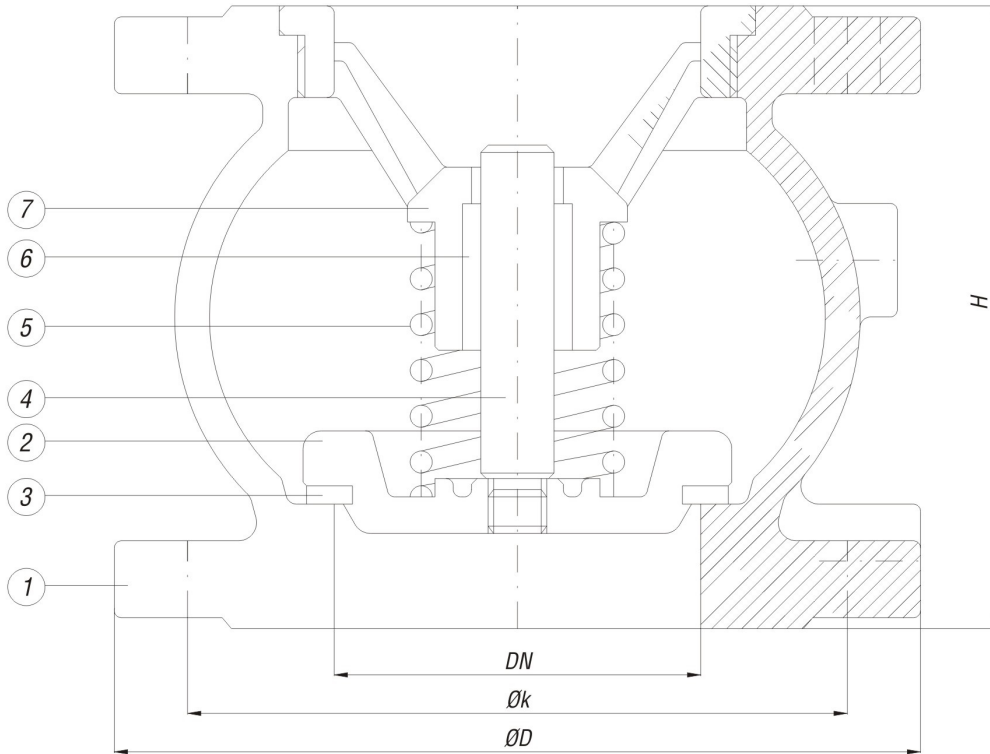
VERTICAL CHECK VALVES

DİK ÇEK VALF



Anma Çapı	: DN40...DN500	Size	: DN40...DN500
Anma Basıncı	: PN16	Pressure	: PN16
Bağlantılar	: DIN 2501, BS 4504	Ends	: DIN 2501, BS 4504 Flange
Sıcaklık	: -10 °C +130 °C	Tempeture	: -10 °C +130 °C
Kullanma alanı	: Temiz sıvı ve Gaz	Mediums	: Clear liquids-Gas

NO	PART NAME	PARÇA ADI	MATERIAL / MALZEME
01	Body	Gövde	GG 25/GGG-40/GS-C 25 BRONZE/SS(Pas.Çelik)
02	Disc	Klape	GG-25/AISI 304/BRONZE
03	Seal	Conta	NBR/EPDM
04	Spindle	Mil	1.4021/BRONZE
05	Spring	Yay	AISI 302(1.4310)
06	Ring	Burc	BRONZE
07	Guide	Kayıt	GG 25/GGG-40/GS-C 25



Nominal Pressure / Anma Basıncı	PN 10 / 16													
	DN	40	50	65	80	100	125	150	200	250	300	350	400	500
Nominal Diameter / Anma Çapı	L	85	100	120	140	170	200	230	288	354	395	472	560	670
Valve Dimensions / Vana Boyutları	D	150	165	185	200	220	250	285	340	395	445	505	565	670
	k	110	125	145	160	180	210	240	295	350	400	460	515	620
Flange Dimensions / Flans Ölçüleri DIN2501/TS 810 PN 10	D	150	165	185	200	220	250	285	340	405	460	520	580	715
	k	110	125	145	160	180	210	240	295	355	410	470	525	650
Flange Dimensions / Flans Ölçüleri DIN2501/TS 810 PN 16	D	150	165	185	200	220	250	285	340	405	460	520	580	715
	k	110	125	145	160	180	210	240	295	355	410	470	525	650
Weight / Ağırlık kg	kg	4.2	5.8	8.1	10.2	14.5	24	32	53	94	140	225	312	540

ООО «ТИ-СИСТЕМС» ИНЖИНИРИНГ И ПОСТАВКА ТЕХНОЛОГИЧЕСКОГО ОБОРУДОВАНИЯ

Интернет: www.tisys.ru www.tisys.kz www.tisys.by www.tesec.ru www.ти-системс.рф

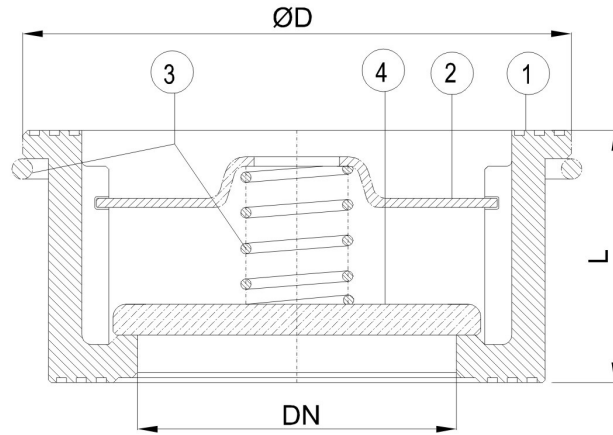
Телефоны: +7 (495) 7774788, 7489626, (925) 5007155, 54, 65 Эл. почта: info@tisys.ru info@tisys.kz info@tisys.by

DISC CHECK VALVE

DISK ÇEK VANA



DISC CHECK VALVE DISCO ÇEKVALF
 PN 16, PN 40 PN 16, PN 40
 DIN 3202/2-K4 DIN 3202/2-K4
 ISO 5752 ISO 5752
 DIN 2501 (Flanş) DIN 2501 (Flanş)
 DN 15...100 DN 15...100

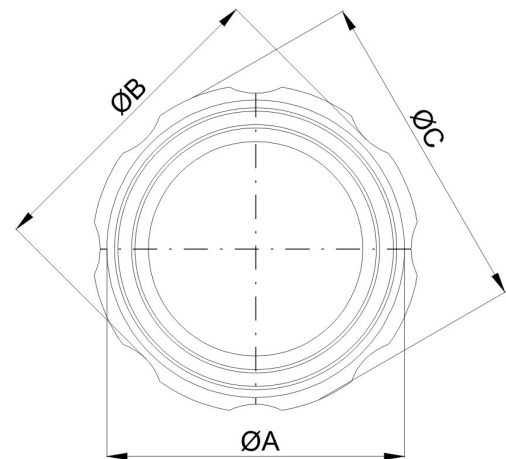
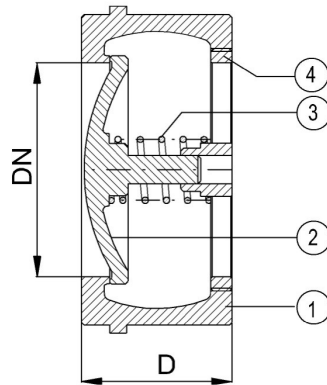


NO	PART NAME	PARÇA ADI	MATERIAL / MALZEME											
1	Body	Gövde	Bronze/ Bronz	Steel / Çelik	AISI 316									
2	Disk guide	Disk klavuzu	AISI 316	AISI 316	AISI 316									
3	Sprig	Yay	AISI 316	AISI 316	AISI 316									
4	Disc	Disk	AISI 304	AISI 304	AISI 304									
5	Seal	Burc	Bronze/ Bronz	Steel / Çelik	AISI 316									
Basınc Sınıfı Pressure rating			PN 16		PN 40		PN 40							
Basınc Değişimi Pressure in bares			16	15	14	13	40	35	28	21	40	34	32	29
Max. Sıcaklık °C Max. Temp. in °C			120	180	200	250	120	200	300	400	120	200	300	400
Min. Sıcaklık °C Min. Temp. in °C			-60	-60	-60	-60	-10	-10	-10	-10	-60	-60	-60	-60

Nominal Diameter / Anma Çapı	DN	ÖLÇÜLER DIMENSION								
		15	20	25	32	40	50	65	80	100
Valve Dimension Vana Boyutları DIN3202/3-K4	ØD	40	47	56	72	82	95	115	132	152
	L	16	19	22	28	32	40	46	50	60
Weight / Ağırlık	Kg	0.100	0.135	0.200	0.460	0.630	0.980	1.350	2.080	3.040

Flow direction Akış Yönü	MINIMUM OPENING PRESSURE(mbar) MİNİMUM AÇMA BASINCLARI(mbar)									
	DN 15	DN 20	DN 25	DN 32	DN 40	DN 50	DN 65	DN 80	DN 100	
With spring Yaylı	21	21	21	21	21	21	21	21	21	
Without spring Yaysız	2.6	2.6	2.6	3.9	4	4.2	5.1	5.6	7.4	

DISC CHECK VALVE DISCO ÇEKVALF
 PN 16, PN 40 PN 16, PN 40
 DIN 3202/2-K4 DIN 3202/2-K4
 ISO 5752 ISO 5752
 DIN 2501 (Flanş) DIN 2501 (Flanş)
 DN 125...200 DN 125...200



NO	PART NAME	PARÇA ADI	MATERIAL / MALZEME							
1	Body	Gövde	Çelik / Steel	AISI 316						
2	Disk	Disk	AISI 304	AISI 304						
3	Sprig	Yay	AISI 316	AISI 316						
4	Disk guide	Disk klavuzu	AISI 316	AISI 316						
Basınc Sınıfı Pressure rating			PN 40		PN 40					
Basınc Değişimi Pressure in bares			40	35	28	21	40	34	32	29
Max. Sıcaklık °C Max. Temp. in °C			120	200	300	400	120	200	300	400
Min. Sıcaklık °C Min. Temp. in °C			-10	-10	-10	-10	-60	-60	-60	-60

Nominal Diameter / Anma Çapı	DIMENSION / ÖLÇÜLER			
	DN 125	150	200	
Valve Dimension / Vana Boyutları DIN3202/3-K4	ØA	184	209	276
	ØB	194	221	287
	ØC	-	227	-
	D	90	106	140
Weight / Ağırlık	kg	9	14	24

Flow direction Akış Yönü	MINIMUM OPENING PRESSURE(mbar) MİNİMUM AÇMA BASINCLARI(mbar)		
	DN 125	150	200
With spring Yaylı	22	23.5	24
Without spring Yaysız	12	13	14.5
	30	32.5	35

ООО «ТИ-СИСТЕМС» ИНЖИНИРИНГ И ПОСТАВКА ТЕХНОЛОГИЧЕСКОГО ОБОРУДОВАНИЯ

Интернет: www.tisys.ru www.tisys.kz www.tisys.by www.tesec.ru www.ти-системс.рф

Телефоны: +7 (495) 7774788, 7489626, (925) 5007155, 54, 65 Эл. почта: info@tisys.ru info@tisys.kz info@tisys.by

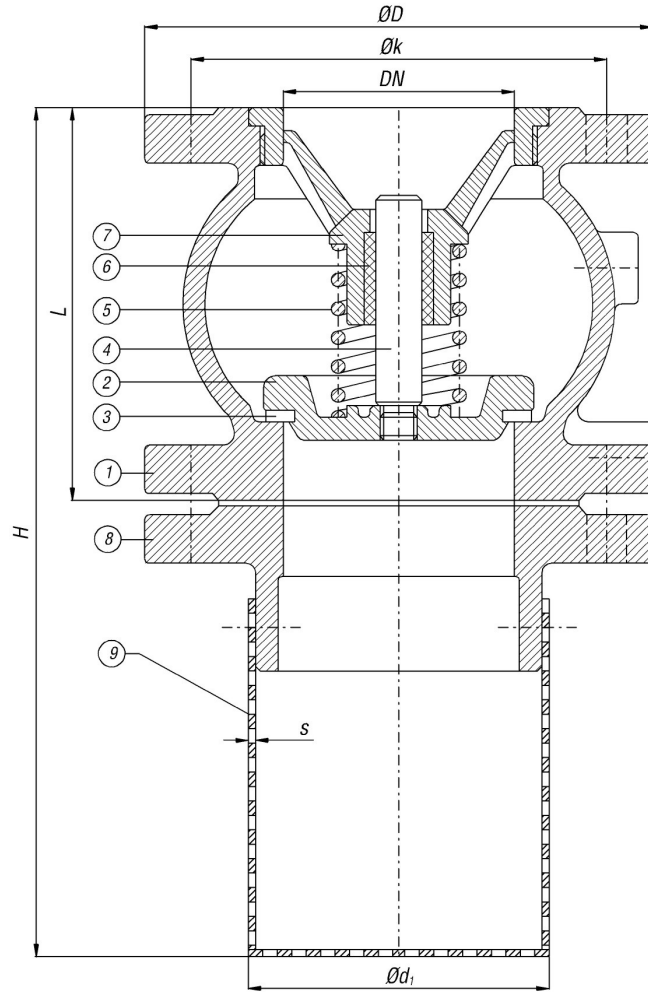
FOOT VALVES

DİP KLAPESİ (AYAK VANASI)



Anma Çapı	: DN40...DN500	Size	: DN40...DN500
Anma Basıncı	: PN16	Pressure	: PN16
Bağlantılar	: DIN 2501, BS 4504	Ends	: DIN 2501, BS 4504 Flange
Sıcaklık	: -10 °C +130 °C	Temperature	: -10 °C +130 °C
Kullanma alanı	: Temiz sıvı ve Gaz	Mediums	: Clear liquids-Gas

NO	PART NAME	PARÇA ADI	MATERIAL / MALZEME
01	Body	Gövde	GG 25/GGG-40/GS-C 25 BRONZE/SS(Pas.Çelik)
02	Disc	Klape	GG-25/AISI 304/BRONZE
03	Seal	Conta	NBR/EPDM
04	Spindle	Mil	1.4021/BRONZE
05	Spring	Yay	AISI 302(1.4310)
06	Ring	Burc	BRONZE
07	Guide	Kayıt	GG 25/GGG-40/GS-C 25
08	Flange	Flanş	GG 25/GGG-40/GS-C 25 BRONZE/SS(Pas.Çelik)
09	Basket	Filtre	AISI 304/RSt-37-2



Nominal Pressure / Anma Basıncı	PN 10 / 16													
Nominal Diameter / Anma Çapı	DN	40	50	65	80	100	125	150	200	250	300	350	400	500
Valve Dimensions / Vana Boyutları	L	85	100	120	140	170	200	230	288	354	395	472	560	670
	H	185	200	245	280	320	400	450	510	600	650	735	860	1020
	Ød	71	81	101	111	140	161	190	235	295	345	410	454	554
	s	1.5						2				2.5		
Flange Dimensions / Flanş Ölçüleri DIN2501/TS 810 PN 10	D	150	165	185	200	220	250	285	340	395	445	505	565	670
	k	110	125	145	160	180	210	240	295	350	400	460	515	620
Flange Dimensions / Flanş Ölçüleri DIN2501/TS 810 PN 16	D	150	165	185	200	220	250	285	340	405	460	520	580	715
	k	110	125	145	160	180	210	240	295	355	410	470	525	650
Flange Dimensions / Flanş Ölçüleri ASA 150	D	150	152.5	178	190.5	229	254	279.5	343	406.5	483	533.5	597	698.5
	k	110	120.7	139.7	152.4	190.5	216	241.3	298.5	362	431.4	476.3	539.8	635
Weight / Ağırlık	kg	6.2	8.8	11	14	19.5	30.5	39.5	64.5	110	156	250	342	590

ООО «ТИ-СИСТЕМС» ИНЖИНИРИНГ И ПОСТАВКА ТЕХНОЛОГИЧЕСКОГО ОБОРУДОВАНИЯ

Интернет: www.tisys.ru www.tisys.kz www.tisys.by www.tesec.ru www.ти-системс.рф

Телефоны: +7 (495) 7774788, 7489626, (925) 5007155, 54, 65 Эл. почта: info@tisys.ru info@tisys.kz info@tisys.by

Anma Çapı : DN15...DN300

Size : DN15...DN300

Anma Basıncı : PN16

Pressure : PN16

Bağlantılar : DIN 2533(Flanş)

Ends : DIN 2533(Flange)

Boyutlar : DIN 3202/2-F1/F32 TS 10873

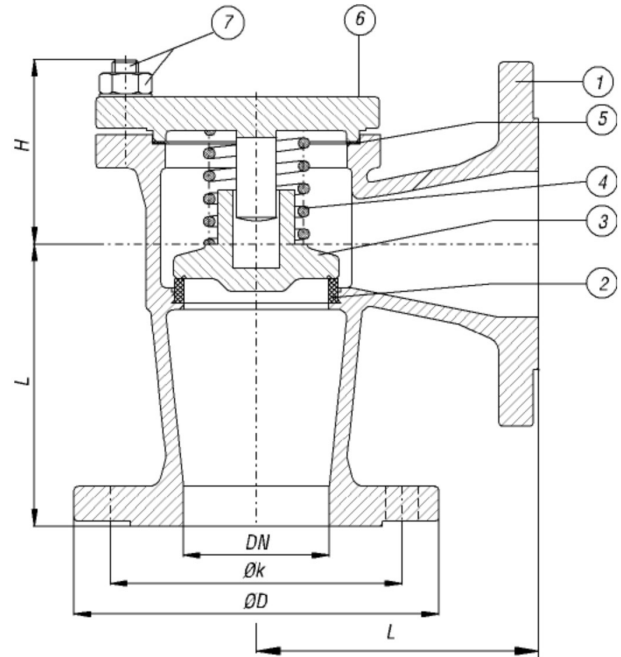
Dimension : DIN 3202/2-F1/F32 TS 10873

NO.	PART NAME	PARÇA ADI	MATERIAL / MALZEME
01	Body	Gövde	GG-25/ GGG-40/ GS-C 25
02	Seat ring	Burc	AISI 304/BRONZE
03	Disc	Klape	AISI 304/BRONZE
04	Spring	Yay	1.4310
05	Gasket	Conta	Asberit/Kingerite
06	Bonnet	Kapak	GG-25/ GGG-40/ GS-C 25
07	Stud,nut	Saplama Somun	5.6-8



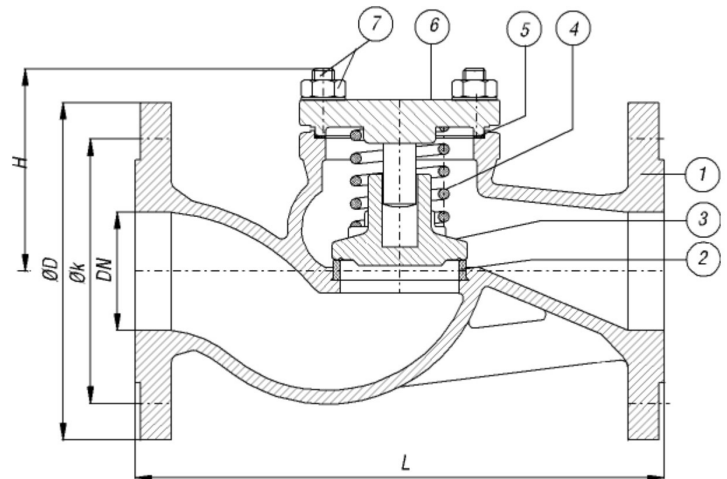
AÇILI TİP ANGLE FORM

DN	L	H	PN16			PN40		
			ØD	Øk	Ağırlık kg	ØD	Øk	Ağırlık kg
15	90	55	95	65	3	95	65	4.5
20	95	55	105	75	3.5	105	75	5
25	100	65	115	85	4	115	85	6
32	105	70	140	100	6	140	100	8
40	115	85	150	110	8	150	110	10
50	125	90	165	125	10	165	125	12
65	145	100	185	145	14	185	145	25
80	155	105	200	160	19	200	160	28
100	175	120	220	180	25	235	190	40
125	200	145	250	210	45	270	220	55
150	225	150	285	240	65	300	250	85
200	275	185	340	295	110	375	320	145
250	325	190	405	355	140	450	385	180
300	375	240	460	410	250	515	450	300
350	425	325	520	470	320	580	510	400



DÜZ TİP STRAIGHT FORM

DN	L	h	PN 16			PN 40		
			ØD	Øk	Ağırlık kg	ØD	Øk	Ağırlık kg
15	130	75	95	65	3	95	65	3.5
20	150	75	105	75	3.5	105	75	4
25	160	85	115	85	4.5	115	85	5.5
32	180	90	140	100	6.5	140	100	8
40	200	95	150	110	9	150	110	11
50	230	100	165	125	11.5	165	125	14
65	290	130	185	145	16.5	185	145	20
80	310	135	200	160	24	200	160	31
100	350	170	220	180	34	235	190	41
125	400	205	250	210	54	270	220	65
150	480	225	285	240	76	300	250	91
200	600	270	340	295	135	375	320	162
250	730	290	405	355	260	450	385	312
300	850	360	460	410	320	515	450	430
350	980	460	520	470	370	580	510	490



Y FORM STRAINER

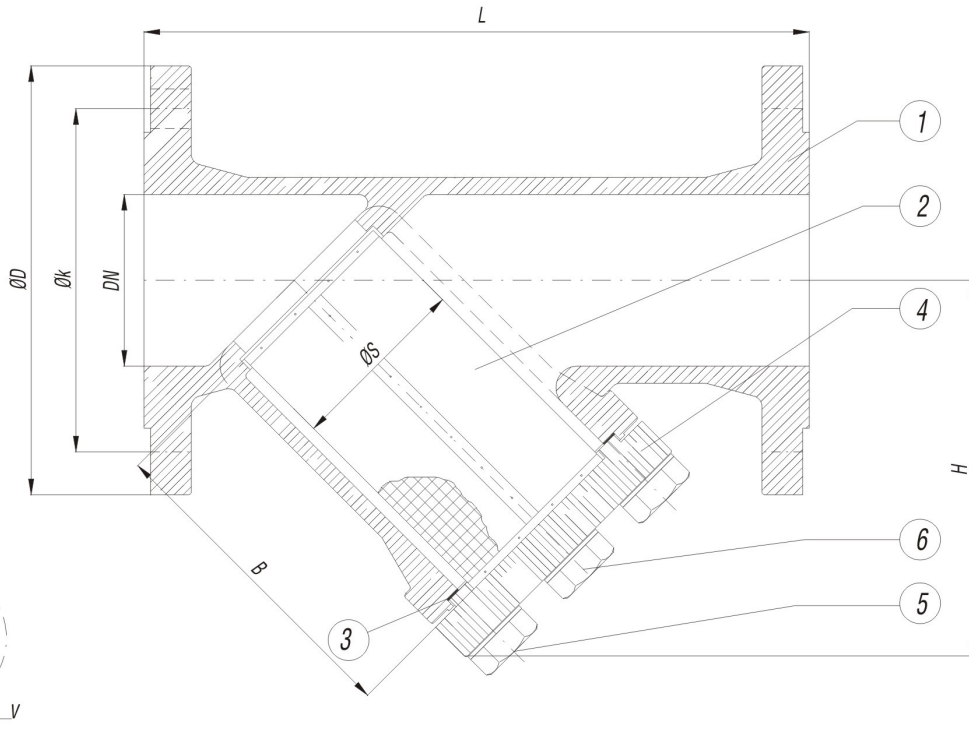
Y TİPİ PİSLİK TUTUCU VYPT-16



Y FORM STRAINER
PN6 / PN16
TS 11 494
DIN 3202/2-F1
DN 15....300
BBFT No:221-300

Y TİPİ PİSLİK TUTUCU
PN6 / PN16
TS 11 494
DIN 3202/2-F1
DN 15....300
BBFT No:221-300

NO	PART NAME	PARÇA ADI	MATERIAL / MALZEME
1	Body	Gövde	GG 25/GGG-40/50
2	Filter	Filtre	AISI 304
3	Gasket	Conta	Klincerit/Franzelit
4	Bonnet	Kapak	GG 25/GGG-40/50
5	Bolt	Civata	5 D/S.S
6	Plug	Tapa	GG 25/Ms 58/S.S



Nominal Pressure / Anma Basıncı	PN	16															10	
		DN	15	20	25	32	40	50	65	80	100	125	150	200	250	300	350	400
Valve Dimensions / Vana Ölçüleri TS 11494 DIN3202/2-F1	L	130	150	160	180	200	230	290	310	350	400	480	600	730	850	980	1100	
	H(min)	60	70	80	85	120	135	185	205	245	290	330	390	530	560	620	710	
	H(max)	100	120	140	150	190	220	310	340	410	470	530	620	850	1050	1100	1210	
Mesh Filtre Özellikleri	B	52	62	72	77	97	112	168	188	218	243	281	317	485	520	560	610	
	S	25	25	29	38	50	60	65	85	105	130	160	210	260	310	360	410	
	v	0.35			0.40			0.50										
	W	0.65			0.85			0.93										
Plug Dimensions / Tapa Ölçüleri	D1							R7/8"						R 1"				
Flange Dimensions / Flanş Ölçüleri TS 810/DIN2501 PN 6	D	80	90	100	120	130	140	160	190	210	240	265	320	375	400	490	540	
	k	55	65	75	90	100	110	130	150	170	210	225	280	335	395	445	495	
Flange Dimensions / Flanş Ölçüleri TS 810/DIN2501 PN 10	D	95	105	115	140	150	165	185	200	220	250	285	340	395	445	505	565	
	k	65	75	85	100	110	125	145	160	180	210	240	295	350	400	460	515	
Flange Dimensions / Flanş Ölçüleri TS 810/DIN2501 PN 10	D	95	105	115	140	150	165	185	200	220	250	285	340	405	460	520	580	
	k	65	75	85	100	110	125	145	160	180	210	240	295	355	410	470	525	
Weight / Ağırlık	kg	1.97	2.98	3.7	5.6	7.6	9.8	15.7	24.9	34	43	54	118	177	275	310	418	

ООО «ТИ-СИСТЕМС» ИНЖИНИРИНГ И ПОСТАВКА ТЕХНОЛОГИЧЕСКОГО ОБОРУДОВАНИЯ

Интернет: www.tisys.ru www.tisys.kz www.tisys.by www.tesec.ru www.ти-системс.рф

Телефоны: +7 (495) 7774788, 7489626, (925) 5007155, 54, 65 Эл. почта: info@tisys.ru info@tisys.kz info@tisys.by

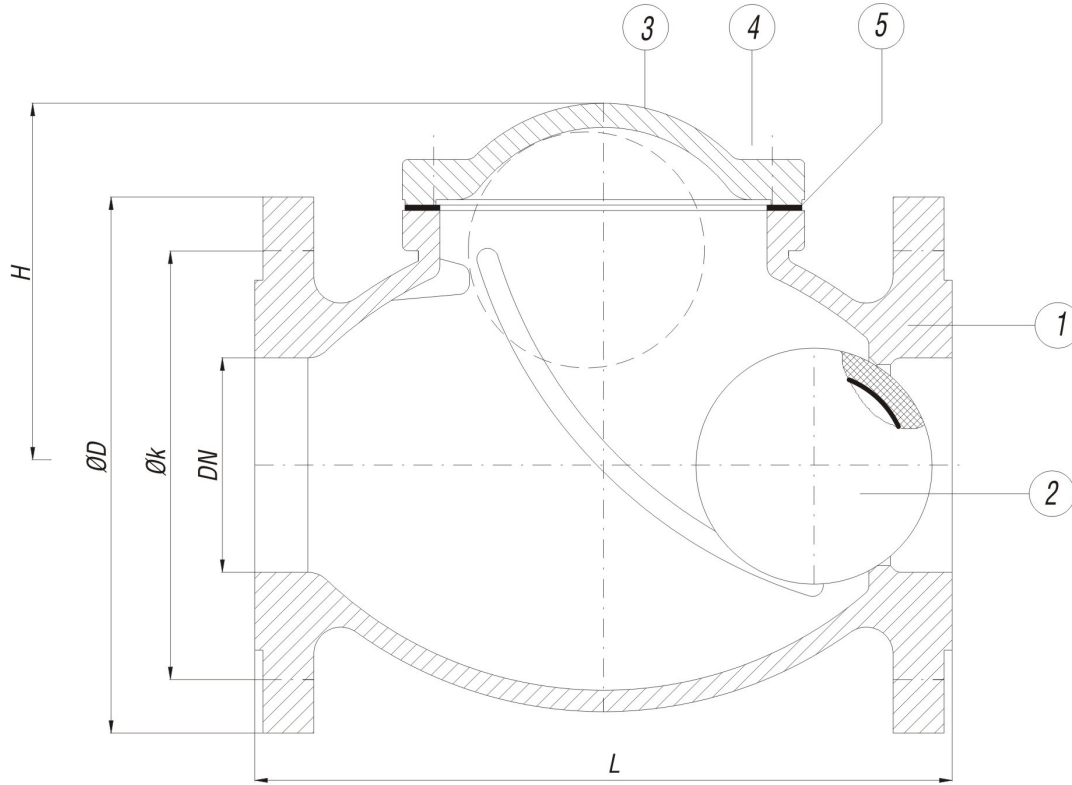
BALL CHECK VALVE

TOPLU ÇEK VALF



Anma Çapı	: DN50...DN300	Size	: DN50...DN300
Anma Basıncı	: PN16/10	Pressure	: PN16/10
Bağlantılar	: DIN 2501(Flanş)	Ends	: DIN 2501
Sıcaklık	: -10 °C +120°C(DIN 2401-2)	Temperature	: -10°C +120°C(DIN 2401-2)
Boyutlar	: DIN 3202-F6	Dimensions	: DIN 3202-F6

NO	PART NAME	PARÇA ADI	MATERIAL / MALZEME
1	Body	Gövde	GG 25/GGG-40/50
2	Ball	Küre	NBR+(GG-25) St-37
3	Bonnet	Kapak	GG 25/GGG-40/50
4	Gasket	Conta	NBR
5	Bolt	Civata	5 D/Pas.Çelik



Nominal Pressure / Anma Basıncı	PN	10									
Nominal Diameter / Anma Çapı	DN	40	50	65	80	100	125	150	200	250	300
Valve Dimensions Vana Boyutları DIN3202/2- F6	L	180	200	240	260	300	350	400	500	600	700
	H	100	110	130	145	170	195	205	260	390	500
Flange Dimensions / Flanş Ölçüleri DIN 2501/TS 810 PN 10	D	150	165	185	200	220	250	285	340	395	445
	k	110	125	145	160	180	210	240	295	350	400
Weight / Ağırlık	kg	8	9	12	14	22	30	49	98	125	240

ООО «ТИ-СИСТЕМС» ИНЖИНИРИНГ И ПОСТАВКА ТЕХНОЛОГИЧЕСКОГО ОБОРУДОВАНИЯ

Интернет: www.tisys.ru www.tisys.kz www.tisys.by www.tesec.ru www.ti-sistemc.pф

Телефоны: +7 (495) 7774788, 7489626, (925) 5007155, 54, 65 Эл. почта: info@tisys.ru info@tisys.kz info@tisys.by

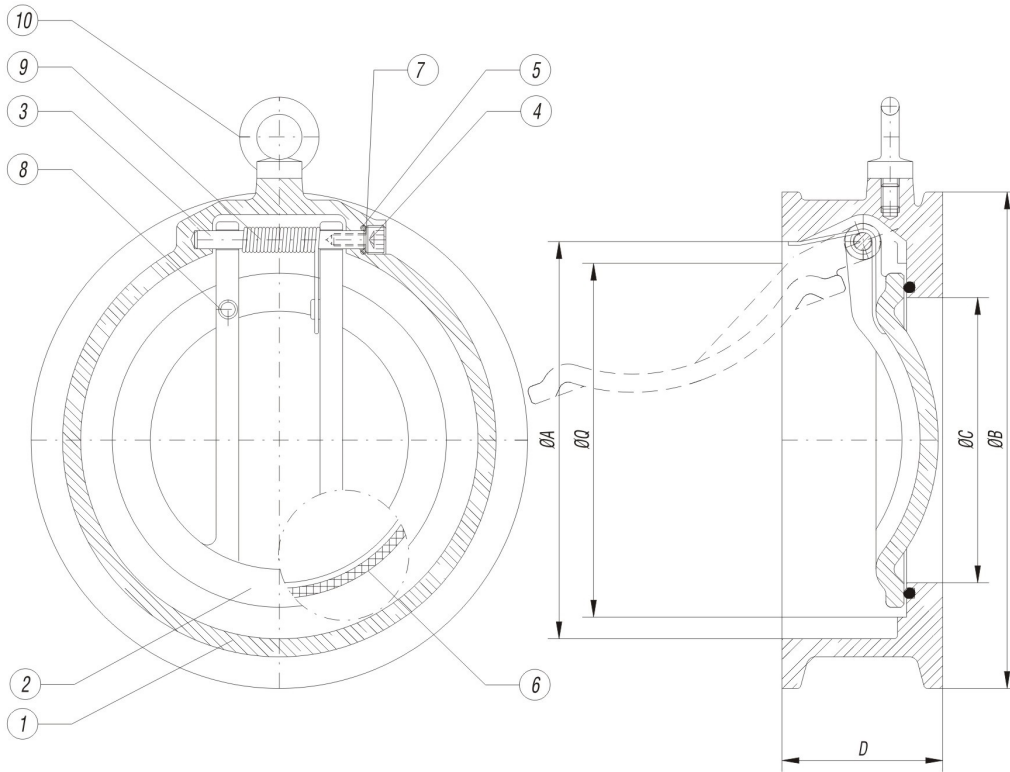
WAFER TILTING TYPE CHECK VALVE

WAFER TILTING ÇEK VALF



WAFER TILTING TYPE CHECK VALVE PN 10, PN 16 DN 40...DN 300
 WAFER TILTING ÇEK VALF PN 10, PN 16 DN 40...DN 300

NO	PART NAME	PARÇA ADI	MATERIAL / MALZEME
1	Body	Gövde	GG-25/GGG-40/GS-C 25
2	Disc	Klape	G-X6
3	Trim	Mil	X5
4	Setscrew	Setskur	X5 CrNiMo 17 12 2
5	O-Ring	O-Ring	EPDM,NBR
6	Sealing Ring	Sızdırmazlık Ringi	PTFE,EPDM,NBR
7	Washer	Rondela	X5 CrNiMo 17 12 2
8	Setscrew	Setskur	X5 CrNiMo 17 12 2
9	Spring	Yay	X5 CrNiMo 17 12 2
10	Ring Screw	Tutma halkası	St-Gal. Zn.



Nominal Diameter / Anma Çapı	DN	40	50	65	80	100	125	150	200	250	300
Valve Dimensions Vana Boyutları TS810/DIN2501 BS 4504 PN 16/10	A	47	60	70.5	82.5	114.3	132	168	220	267	324
	B	94	109	129	144	164	194	220	275	330	380/386
	C	22	34	43.5	59.5	77	98	115	158	185	241.5
	D	33	43	46	64	64	70	76	89	114	114
	E	54	59	60	62	60	61	72	70	66	65
Q	38	50	65	78	102	126	149	196	250	298	
Weight / Ağırlık	kg	0.9	1.4	1.9	3.0	3.7	5.6	8.2	12.4	23.3	33

ООО «ТИ-СИСТЕМС» ИНЖИНИРИНГ И ПОСТАВКА ТЕХНОЛОГИЧЕСКОГО ОБОРУДОВАНИЯ

Интернет: www.tisys.ru www.tisys.kz www.tisys.by www.tesec.ru www.ти-системс.рф

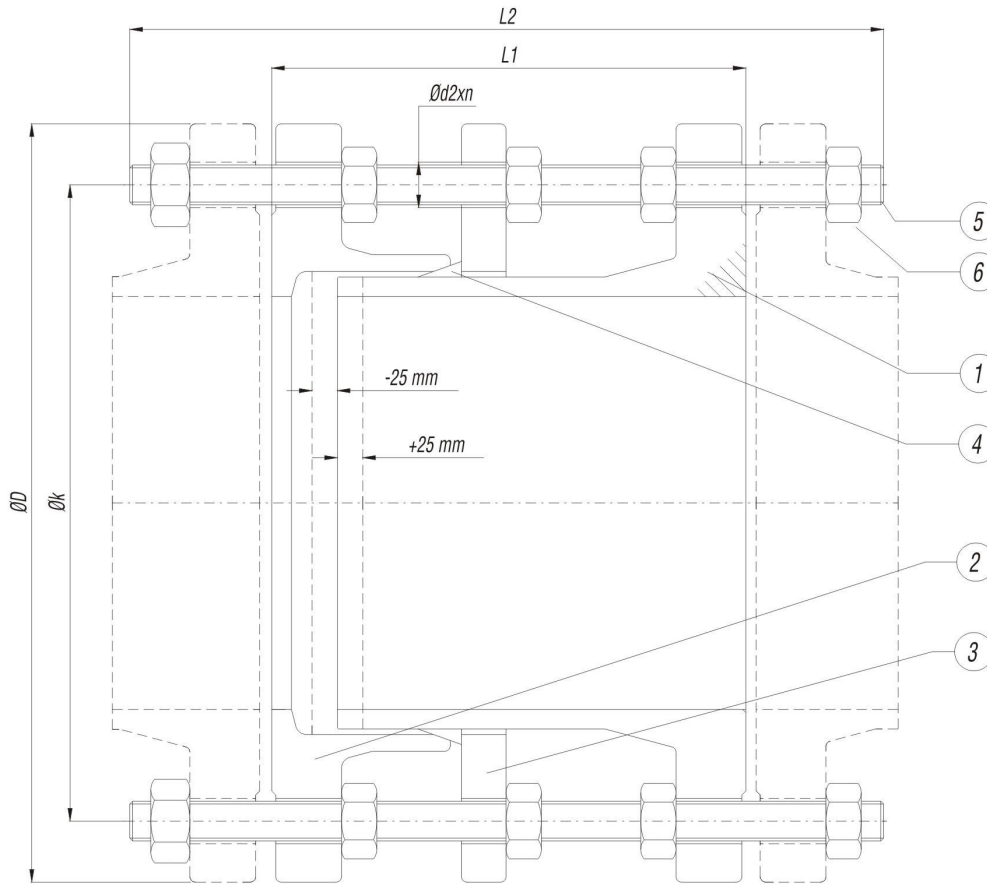
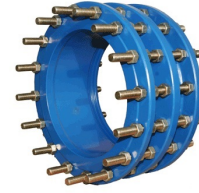
Телефоны: +7 (495) 7774788, 7489626, (925) 5007155, 54, 65 Эл. почта: info@tisys.ru info@tisys.kz info@tisys.by

DISMANTLING PIECE-RIGID TYPE DEMONTAJ PARÇASI RİJİT TİP



DISMANTLING PIECE-RIGID TYPE DEMONTAJ PARÇASI RİJİT TİP
PN 10, PN 16 PN 10, PN 16
DN 100...DN 1200 DN 100...DN 1200

NO	PART NAME	PARÇA ADI	MATERIAL / MALZEME
1	Flanged Pipe-Long	Uzun Parça	GGG-50
2	Flanged Pipe-Short	Kısa Parça	GGG-50
3	Retaining Flange	Baskı Flanşı	St-37
4	Sealing Ring	Sızdırmazlık Ringi	EPDM
5	Stud Bolt	Saplama	Ck-40(Gal. Zn)
6	Nut	Somun	Ck-40(Gal. Zn)



Nominal Diameter / Anma Çapı		DN	100	125	150	200	250	300	350	400	450	500	600	700	800	900	1000	1100	1200			
Valve Dimensions Vana Boyutları	PN 10	L1	200			220			230			250		260			290			300		320
		L2	310		320	340	360			370	390	400	410		460		480			520		
	PN 16	L1	200			220		230	250	260		270		280	300		320		340			360
		L2	310		320	340	370	410		430			440	480		520		560			600	
Flange Dimensions Flanş Ölçüleri DIN 2501/TS 810 BS 4504	PN 10	ØD	220	250	285	340	395	445	505	565	615	670	780	895	1015	1115	1230	1340	1455			
		Øk	180	210	240	295	350	400	460	515	565	620	725	840	950	1050	1160	1270	1380			
	PN 16	Ød2xn	Ø18x8		Ø22x8	Ø22x12	Ø22x16	Ø26x16	Ø26x20	Ø30x20	Ø30x24	Ø33x24	Ø33x28	Ø36x28	Ø36x32	Ø39x32	Ø42x28		Ø42x32	Ø49x32		
		ØD	220	250	285	340	405	460	520	580	640	715	840	910	1025	1125	1255	1355	1485			
	PN 16	Øk	180	210	240	295	355	410	470	525	585	650	770	840	950	1050	1170	1270	1380			
		Ød2xn	Ø18x8		Ø22x8	Ø22x12	Ø26x12	Ø26x16	Ø30x16	Ø30x20	Ø33x20	Ø36x20	Ø36x24	Ø39x24	Ø39x28	Ø42x28	Ø42x32	Ø49x32				
Weight / Ağırlık		kg	20	23	32	46	57	78	102	128	135	200	305	365	410	540	700	820	1120			

ООО «ТИ-СИСТЕМС» ИНЖИНИРИНГ И ПОСТАВКА ТЕХНОЛОГИЧЕСКОГО ОБОРУДОВАНИЯ

Интернет: www.tisys.ru www.tisys.kz www.tisys.by www.tesec.ru www.ти-системс.рф

Телефоны: +7 (495) 7774788, 7489626, (925) 5007155, 54, 65 Эл. почта: info@tisys.ru info@tisys.kz info@tisys.by

BALL VALVE FULL BORE(CLASS) KÜRESEL VANA TAM GEÇİŞLİ(CLASS)

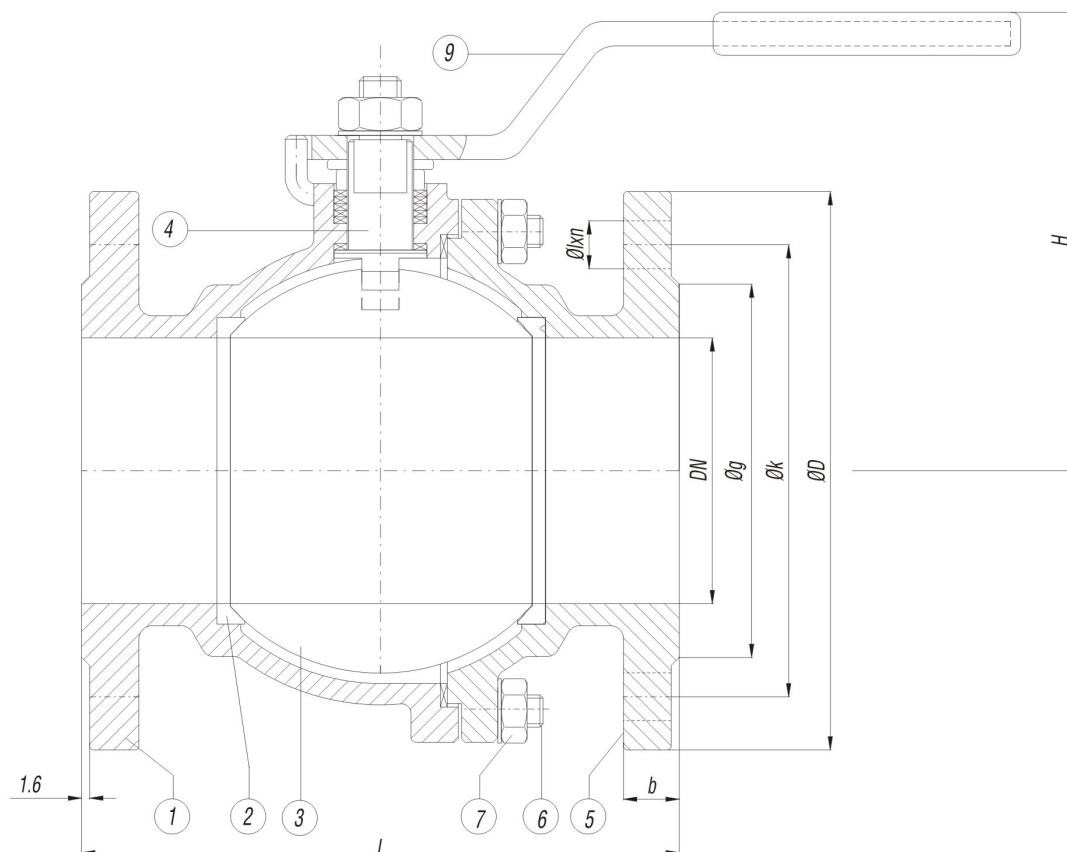


BALL VALVE FULL BORE
CLASS 150
CLASS 300
ANSI B16.10
ANSI B16.1 Flange

KÜRESEL VANA TAM GEÇİŞLİ
CLASS 150
CLASS 300
ANSI B16.10
ANSI B16.1 Flanş

Flanş Bağlantılı (FLGD)
Flanged (FLGD)

NO	PART NAME	PARÇA ADI	MATERIAL / MALZEME
1	Body	Gövde	Cast Steel A 126 Gr. WCB / Çelik Döküm
2	Body seat	Gövde Burcu	PTFE / TEFLON
3	Ball	Küre	Stainless Steel ASTM A182 Gr. F304 / Paslanmaz Çelik
4	Stem	Mil	Stainless Steel ASTM A182 Gr. F304 / Paslanmaz Çelik
5	Bonnet	Kapak	Cast Steel A 126 Gr. WCB / Çelik Döküm
6	Stud	Saplama	Cr. Mo Alloy Steel A193 Gr. B7 / Cr. Mo Alışımı Çelik
7	Nut	Somun	Carbon Steel A194 Gr. 2H / Karbon Çeliği
8	Lever	Kol	Ductile Iron and Steel / Sfero Döküm veya Çelik



Valve Dimensions Boyut Ölçüleri ANSI B16.10			CLASS 150 Flange Dimensions Flanş Ölçüleri ANSI B16.1					Weight Ağırlık kg
DN	L	H	ØD	Øk	Øg	b	Ølxn	
50	178	160	152.5	120.7	92	16	Ø19x4	12
65	190	170	178	139.7	105	17.5		16
80	203	210	190.5	152.4	127	19		22
100	229	240	229	190.5	157	24	Ø19x8	34
125	254	280	254	216	185.7	24	Ø22x8	44
150	394	330	279.5	241.3	216	25.5		58
200	457	400	343	298.5	270	28.5		140

Valve Dimensions Boyut Ölçüleri ANSI B16.10			CLASS 300 Flange Dimensions Flanş Ölçüleri ANSI B16.1					Weight Ağırlık kg
DN	L	H	ØD	Øk	Øg	b	Ølxn	
50	216	160	165	127	92	22.5	Ø19x8	16
65	241	170	190.5	149.3	105	25.4		30
80	283	210	209.5	168	127	28.5		36
100	305	240	254	200	157	32	Ø22x8	45
125	381	280	279.5	235	185.7	35		70
150	403	330	318	269.7	216	36.5	Ø22x12	105
200	419	400	381	330	270	41.3	Ø25.5x12	150

ООО «ТИ-СИСТЕМС» ИНЖИНИРИНГ И ПОСТАВКА ТЕХНОЛОГИЧЕСКОГО ОБОРУДОВАНИЯ

Интернет: www.tisys.ru www.tisys.kz www.tisys.by www.tesec.ru www.ti-sistemc.pф

Телефоны: +7 (495) 7774788, 7489626, (925) 5007155, 54, 65 Эл. почта: info@tisys.ru info@tisys.kz info@tisys.by

SWING CHECK VALVE(CLASS) ÇALPARA ÇEKVALF (CLASS)



SWING CHECK VALVES	ÇALPARA ÇEK VALF
CLASS 150	CLASS 150
CLASS 300	CLASS 300
CLASS 600	CLASS 600
ANSI B16.10	ANSI B16.10
ANSI B16.1 Flange	ANSI B16.1 Flanş

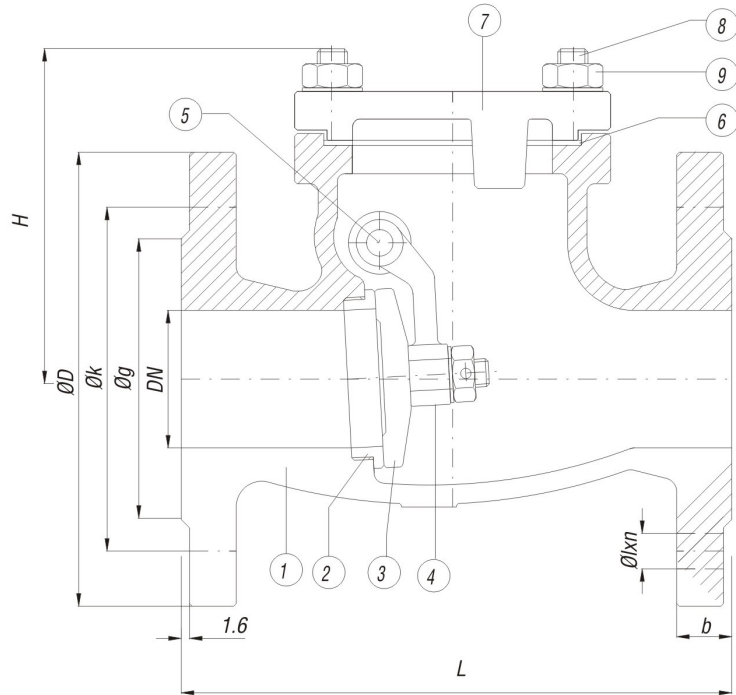
PROPERTIES / ÖZELLİKLER

Flanged(FLGD)	Flanş Bağlantılı(FLGD)
Race Face(RF)	Fatura Yüzeyle(RF)
Bolted Bonnet(BB)	Çıvatalı Kapak(BB)
Renewable seat ring	Değişebilir Sitringle
Full Port	Tam Geçişli

NO	PART NAME	PARÇA ADI	MATERIAL / MALZEME
1	Body	Gövde	Cast Steel A 126 Gr. WCB / Çelik Döküm
2	Body seat	Gövde Burcu	Stainless Steel A182 Gr. F6 / Paslanmaz Çelik
3	Disc	Klape	Stainless Steel A182 Gr. F6 / Paslanmaz Çelik
4	Disc Hinge	Klape Kolu	Stainless Steel A182 Gr. F6 / Paslanmaz Çelik
5	Stem	Mil	Stainless Steel A182 Gr. F6 / Paslanmaz Çelik
6	Gasket	Conta	Compressed Asbestos(CAF) / Kompres Asbest
7	Bonnet	Kapak	Cast Steel A 126 Gr. WCB / Çelik Döküm
8	Stud	Saplama	Cr. Mo Alloy Steel A193 Gr. B7 / Cr. Mo Alaşımli Çelik
9	Nut	Somun	Carbon Steel A 194 Gr. 2H / Karbon Çeliği



Valve Dimensions Boyut Ölçüleri ANSI B16.10			CLASS 150 Flange Dimensions Flanş Ölçüleri					ANSI B16.1	Weight Ağırlık kg
DN	L	H	ØD	Øk	Øg	b	Ølxn		
50	203	145	152.5	120.7	92	16		18	
65	216	180	178	139.7	105	17.5	Ø19x4	25	
80	241	196	190.5	152.4	127	19		30	
100	292	215	229	190.5	157	24	Ø19x8	51	
125	330	240	254	216	185.7	24		55	
150	355.6	260	279.5	241.3	216	25.5	Ø22x8	80	
200	495	325	343	298.5	270	28.5		140	
250	622	360	406.5	362	324	30.2		260	
300	698.5	375	483	431.8	381	32	Ø25.5x12	340	
350	787	425	533.5	476.3	413	35	Ø28.5x12	445	
400	864	475	597	539.8	470	36.5	Ø28.5x16	570	
450	978	530	635	577.9	533.5	40	Ø32x16	-	
500	978	600	698.5	635	584	43	Ø32x20	950	
600	1295	670	813	749.3	692	48	Ø35x20	-	



Valve Dimensions Boyut Ölçüleri ANSI B16.10			CLASS 300 Flange Dimensions Flanş Ölçüleri					ANSI B16.1	Weight Ağırlık kg
DN	L	H	ØD	Øk	Øg	b	Ølxn		
50	268	170	165	127	92	22.5	Ø19x8	24	
65	292	195	190.5	149.3	105	25.4		29	
80	317.5	215	209.5	168	127	28.5	Ø22x8	45	
100	355.6	225	254	200	157	32		67	
125	400	250	279.5	235	185.7	35		-	
150	444.5	270	318	269.7	216	36.5	Ø22x12	118	
200	533	330	381	330	270	41.3	Ø25.5x12	215	
250	622	335	445	387.4	324	48	Ø28.5x16	280	
300	711	480	521	451	381	51	Ø32x16	360	
350	838	490	585	514.4	413	54	Ø32x20	600	
400	864	520	648	571.5	470	57	Ø35x20	815	
450	978	570	711	628.6	533.5	60.5		1095	
500	1016	610	775	685.8	584	63.5	Ø35x24	1300	
600	1346	720	914.5	812.8	692	69.8	Ø41x24	2100	

Valve Dimensions Boyut Ölçüleri ANSI B16.10			CLASS 600 Flange Dimensions Flanş Ölçüleri					ANSI B16.1	Weight Ağırlık kg
DN	L	H	ØD	Øk	Øg	b	Ølxn		
50	292	190	165	127	92	25.5	Ø19x8	30	
65	330	225	190.5	149.3	105	28.5		38	
80	355.6	245	209.5	168	127	32	Ø22x8	58	
100	432	300	273	216	157	38	Ø25.5x8	95	
125	508	350	330	266.7	185.7	44.5	Ø28.5x8	-	
150	559	400	355.6	292	216	47.8	Ø28.5x12	195	
200	660	425	419	349.2	270	55.6	Ø32x12	280	
250	787	480	508	431.8	324	63.5	Ø35x16	562	
300	838	510	559	489	381	66.5	Ø35x20	760	
350	889	530	603.3	527	413	70	Ø38x20	980	
400	991	650	686	603.2	470	76.2	Ø41x20	1190	
450	1029	750	743	654	533.5	82.6	Ø44.5x20	-	
600	1194	820	813	724	584	89	Ø44.5x24	-	
500	1397	850	940	838.2	692	102	Ø51x24	-	

ООО «ТИ-СИСТЕМС» ИНЖИНИРИНГ И ПОСТАВКА ТЕХНОЛОГИЧЕСКОГО ОБОРУДОВАНИЯ

Интернет: www.tisys.ru www.tisys.kz www.tisys.by www.tesec.ru www.ti-sistemc.pф

Телефоны: +7 (495) 7774788, 7489626, (925) 5007155, 54, 65 Эл. почта: info@tisys.ru info@tisys.kz info@tisys.by

SWING CHECK VALVE(CLASS)

ÇALPARA ÇEKVALF (CLASS)



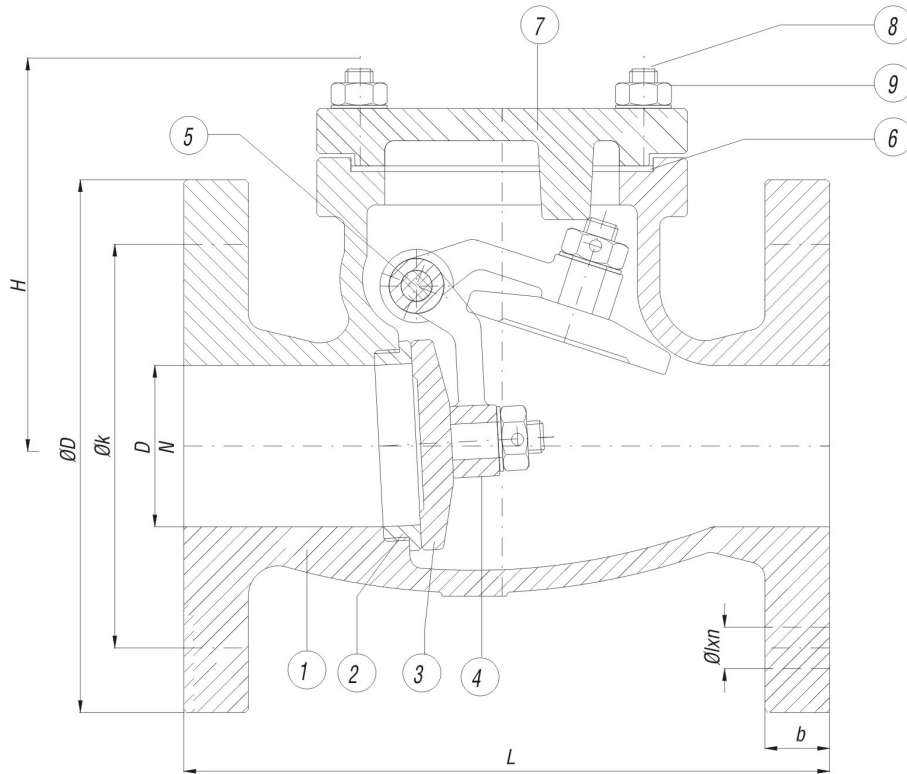
SWING CHECK VALVES
CLASS 125
API 6D
ANSI B16.10
ANSI B16.1 Flange

ÇALPARA ÇEK VALF
CLASS 125
API 6D
ANSI B16.10
ANSI B16.1 Flanş

PROPERTIES / ÖZELLİKLER

Flanged(FLGD) Flanş Bağlantılı(FLGD)
Flat Face(FF) Düz Fatura Yüzeyle(FF)
Bolted Bonnet(BB) Civatalı Kapak(BB)
Renewable seat ring Değişebilir Sitringli
Full Port Tam Geçişli

NO	PART NAME	PARÇA ADI	MATERIAL / MALZEME
1	Body	Gövde	Cast Iron A 126 Gr. B / Demir Döküm
2	Body seat	Gövde Burcu	Cast Brass B62 / Bronz Döküm
3	Disc	Klappe	Carbon Steel / Karbon Çeliği
4	Disc Hinge	Klappe Kolu	Carbon Steel / Karbon Çeliği
5	Stem	Mil	Stainless Steel A182 Gr. F6 / Paslanmaz Çelik
6	Gasket	Conta	Compressed Asbestos(CAF) / Kompres Asbest
7	Bonnet	Kapak	Fabricated Steel A515 / Fabrikasyon Çelik
8	Stud	Saplama	Steel A 307 Gr. B / Çelik
9	Nut	Somun	Steel A 307 Gr. B / Çelik



Nominal Pressure / Anma Basıncı	PN	CLASS 125													
Nominal Diameter / Anma Çapı	DN	50	65	80	100	125	150	200	250	300	350	400	450	500	600
Valve Dimensions Boyut Ölçüleri ANSI B16.10	L	203	216	241	292	330	355.6	495	622	698.5	787	864	978	978	1295
	H	145	180	196	215	240	258	325	360	379	435	468	530	605	665
Flange Dimensions Flanş Ölçüleri ANSI B16.1 CLASS 125	D	152.5	178	190.5	228	254	279.5	343	406.5	483	533.5	597	635	698.5	813
	k	120.7	139.7	152.4	190.5	216	241.3	298.5	362	431.8	476.5	537.8	577.9	635	749.3
	b	16	17.5	19	24		25.5	28.5	30.2	32	35	36.5	40	43	48
	Ølxn	Ø19x4			Ø19x8		Ø22x8		Ø25.5x12		Ø28.5x12		Ø32x16		Ø32x20
Weight / Ağırlık	kg	18	25	30	51	55	80	145	290	360	435	570	-	910	-

ООО «ТИ-СИСТЕМС» ИНЖИНИРИНГ И ПОСТАВКА ТЕХНОЛОГИЧЕСКОГО ОБОРУДОВАНИЯ

Интернет: www.tisys.ru www.tisys.kz www.tisys.by www.tesec.ru www.ti-sistemc.pф

Телефоны: +7 (495) 7774788, 7489626, (925) 5007155, 54, 65 Эл. почта: info@tisys.ru info@tisys.kz info@tisys.by

GLOBE VALVES(CLASS 125)

BUHAR VANASI(CLASS 125)

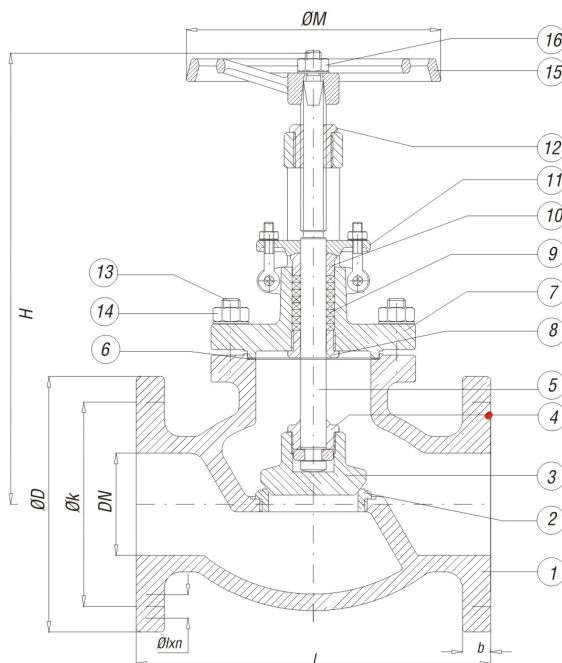


GLOBE VALVES	BUHAR VANASI
CLASS 125	CLASS 125
BS 1873	BS 1873
ANSI B16.10	ANSI B16.10
ANSI B16.1 Flanş/Flange	ANSI B16.1 Flanş/Flange

PROPERTIES / ÖZELLİKLER

Flanged(FLGD)	Flanş Bağlantılı(FLGD)
Flat Face(FF)	Düz Fatura Yüzeyle(FF)
Conical Disc,Bolted Bonnet(BB)	Konik Klapeli,Cıvatalı Kapak(BB)
Rising Stem and Handwheel(RS)	Yükselen Millî Volanlı(RSH)
Outside screw and yoke(OSY)	Diştan Vidalı Boyunduruklu(OSY)
Bolted Gand(BG)	Cıvatalı Glendli(BG)
Renewable seat ring	Değişebilir Sitringli

NO	PART NAME	PARÇA ADI	MATERIAL / MALZEME
1	Body	Gövde	Cast Iron A 126 Gr. B / Demir Döküm
2	Body seat	Gövde Burcu	Cast Brass B62 / Bronz Döküm
3	Disc	Klapel	Cast Brass B62 / Bronz Döküm
4	Disc nut	Baskı parçası	Brass B16 / Pirinç
5	Stem	Mill	Brass B16 / Pirinç
6	Gasket	Conta	Compressed Asbestos(CAF) / Kompres Asbest
7	Bonnet	Kapak	Cast Iron A 126 Gr. B / Demir Döküm
8	Back Seat	Geri Ring	Brass B16 / Pirinç
9	Packing	Salmastra	Asbestos Braided with Graphite / Grafit Örgülü Asbest
10	Packing nut	Salmastra Baskısı	Brass B16 / Pirinç
11	Gland flange	Baskısı flanşı	Carbon Steel A 216 Gr. WCB / Çelik Döküm
12	Stem Bushing	Mill Yatağı	Bronze / Bronz
13	Stud	Saplama	Steel A 307 Gr. B / Çelik
14	Nut	Somun	Steel A 307 Gr. B / Çelik
15	Handwheel	Volan	Ductile Iron / Sfero Döküm
16	Handwheel nut	Volan Somunu	Steel / Çelik



Nominal Pressure / Anma Basıncı	PN	CLASS 125								
Nominal Diameter / Anma Çapı	DN	50	65	80	100	125	150	200	250	300
Valve Dimensions Boyut Ölçüleri ANSI B16.10	L	203	216	241	292	355.6	406.4	495	622	698.5
	H	360	380	435	445	500	540	650	900	950
	ØM	200		250	300	355		450		
Flange Dimensions Flanş Ölçüleri ANSI B16.1 CLASS 125	D	152.5	178	190.5	229	254	279.5	343	406.5	483
	k	120.7	139.7	152.4	190.5	216	241.3	298.5	362	431.8
	b	16	17.5	19	24		25.5	28.5	30.2	32
	Ølxn	Ø19x4		Ø19x8		Ø22x8		Ø25.5x12		
Weight / Ağırlık	kg	20	32	39	56	85	120	180	260	400

ООО «ТИ-СИСТЕМС» ИНЖИНИРИНГ И ПОСТАВКА ТЕХНОЛОГИЧЕСКОГО ОБОРУДОВАНИЯ

Интернет: www.tisys.ru www.tisys.kz www.tisys.by www.tesec.ru www.ти-системс.рф

Телефоны: +7 (495) 7774788, 7489626, (925) 5007155, 54, 65 Эл. почта: info@tisys.ru info@tisys.kz info@tisys.by

GLOBE VALVES(CLASS) BUHAR VANASI(CLASS)



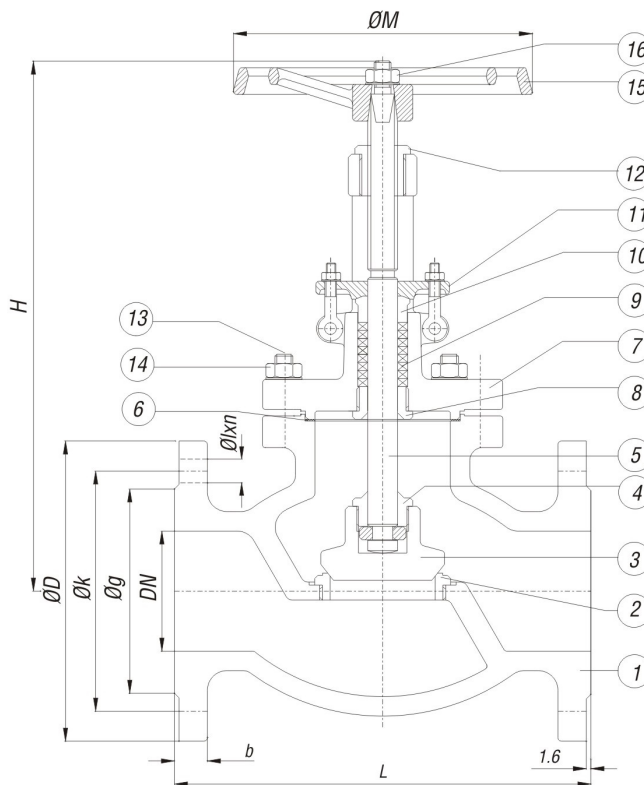
GLOBE VALVES	BUHAR VANASI
CLASS 150	CLASS 150
CLASS 300	CLASS 300
CLASS 600	CLASS 600
ANSI B16.10	ANSI B16.10
ANSI B16.5 Flange	ANSI B16.5 Flanş

PROPERTIES / ÖZELLİKLER

Flanged(FLGD)	Flanş Bağlantılı(FLGD)
Conical Disc,Bolted Bonnet(BB)	Konik Klapeli,Cıvatalı Kapak(BB)
Rising Stem and Handwheel(RS)	Yükselen Millili Volanlı(RSH)
Outside screw and yoke(OSY)	Dıştan Vidalı Boyunduruklu(OSY)
Bolted Gand(BG)	Cıvatalı Glendli(BG)
Renewable seat ring	Değişebilir Sitringli



NO	PART NAME	PARÇA ADI	MATERIAL / MALZEME
1	Body	Gövde	Carbon Steel A 216 Gr. WCB / Çelik Döküm
2	Body seat	Gövde Burcu	Stainless Steel A182 Gr. F6 / Paslanmaz Çelik
3	Disc	Klape	Stainless Steel A182 Gr. F6 / Paslanmaz Çelik
4	Disc nut	Baskı parçası	Stainless Steel A182 Gr. F6 / Paslanmaz Çelik
5	Stem	Mil	Stainless Steel A182 Gr. F6 / Paslanmaz Çelik
6	Gasket	Conta	Compressed Asbestos(CAF) / Kompres Asb.Corrugated veya SS Pas. Çelik
7	Bonnet	Kapak	Carbon Steel A 216 Gr. WCB / Çelik Döküm
8	Back Seat	Geri Ring	Stainless Steel A182 Gr. F6 / Paslanmaz Çelik
9	Packing	Salmastra	Asbestos Braided w.th Graphite / Grafit Örgülü Asbest
10	Packing nut	Salmastra Baskısı	Stainless Steel A182 Gr. F6 / Paslanmaz Çelik
11	Gland flange	Baskı flanşı	Carbon Steel A 216 Gr. WCB / Çelik Döküm
12	Stem Bushing	Mil Yatağı	Stainless Steel A182 Gr. F6 / Paslanmaz Çelik
13	Stud	Saplama	Cr. Mo Alloy Steel A193 Gr. B7 / Cr. Mo Alaşimli Çelik
14	Nut	Somun	Carbon Steel A 194 Gr. 2H / Karbon Çeliği
15	Handwheel	Volan	Ductile Iron / Sfero Döküm
16	Handwheel nut	Volan Somunu	Steel / Çelik



Valve Dimensions Boyut Ölçüleri ANSI B16.10					CLASS 150 Flange Dimensions Flanş Ölçüleri ANSI B16.1					Weight Ağırlık kg
DN		L	H	ØM	ØD	Øk	Øg	b	Ølxn	
50	2"	203	360	200	152.5	120.7	92	16	Ø19x4	23
65	2 1/2"	216	380		178	139.7	105	17.5		30
80	3"	241	430	250	190.5	152.4	127	19		35
100	4"	292	445		229	190.5	157	24	Ø19x8	56
125	5"	355.6	500	355	254	216	185.7	24		85
150	6"	406.4	540		279.5	241.3	216	25.5	Ø22x8	120
200	8"	495	650	450	343	298.5	270	28.5		180
250	10"	622	900		406.5	362	324	30.2	Ø25.5x12	260
300	12"	698.5	950	550	483	431.8	381	32		400
350	14"	787	1144		533	476	413	35	Ø29x12	
400	16"	914	1290	650	597	539.5	470	36.6	Ø29x16	

Valve Dimensions Boyut Ölçüleri ANSI B16.10					CLASS 300 Flange Dimensions Flanş Ölçüleri ANSI B16.1					Weight Ağırlık kg
DN		L	H	ØM	ØD	Øk	Øg	b	Ølxn	
50	2"	267	368	200	165	127	92	22.5	Ø19x8	30
65	2 1/2"	292	380	250	190.5	149.3	105	25.4		35
80	3"	317.5	428		209.5	168	127	28.5	Ø22x8	40
100	4"	355.6	485	300	254	200	157	32		84
125	5"	400	505	355	279.5	235	185.7	35		98
150	6"	445	640	450	318	269.7	216	36.5	Ø22x12	155
200	8"	559	910	500	381	330	270	41.3	Ø25.5x12	240
250	10"	622	985	550	445	387.4	324	48	Ø28.5x12	500
300	12"	711	1090	650	521	451	381	51	Ø32x16	-
350	14"	762	1150	800	584	514.5	413	54	Ø32x20	
400	16"	838	1300	800	648	571.5	470	57.2	Ø35x20	

Valve Dimensions Boyut Ölçüleri ANSI B16.10					CLASS 600 Flange Dimensions Flanş Ölçüleri ANSI B16.1					Weight Ağırlık kg
DN		L	H	ØM	ØD	Øk	Øg	b	Ølxn	
50	2"	292	480	250	165	127	92	25.5	Ø19x8	35
65	2 1/2"	330	525		190.5	149.3	105	28.5		45
80	3"	356	590	355	209.5	168	127	32	Ø22x8	68
100	4"	432	640	450	273	216	157	38	Ø25.5x8	130
125	5"	508	745	500	330	266.7	185.7	44.5	Ø28.5x8	-
150	6"	559	825	550	355.6	292	216	47.8	Ø28.5x12	235
200	8"	660	980	720	419	349.2	270	55.6	Ø32x12	560
250	10"	787	1300		508	431.8	324	63.5	Ø35x16	-
300	12"	838	1350	1500	559	489	381	66.5	Ø35x20	-
350	14"	889	1400		603	527	413	70	Ø38x20	
400	16"	991	1450		686	603	470	76.2	Ø41x20	

ООО «ТИ-СИСТЕМС» ИНЖИНИРИНГ И ПОСТАВКА ТЕХНОЛОГИЧЕСКОГО ОБОРУДОВАНИЯ

Интернет: www.tisys.ru www.tisys.kz www.tisys.by www.tesec.ru www.ti-sistemc.pф

Телефоны: +7 (495) 7774788, 7489626, (925) 5007155, 54, 65 Эл. почта: info@tisys.ru info@tisys.kz info@tisys.by

RISING STEM GATE VALVE

YÜKSELEN MİLLİ SÜRGÜLÜ VANA

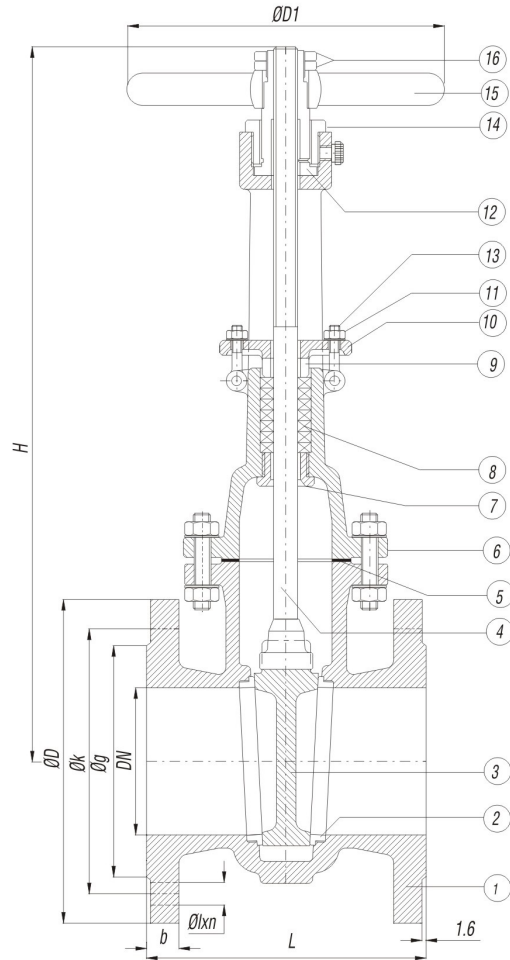


RISING STEM GATE VALVE	YÜKSELEN MİLLİ
CLASS 150	CLASS 150
CLASS 300	CLASS 300
CLASS 600	CLASS 600
ANSI B16.10	ANSI B16.10
ANSI B16.1 Flanş/Flange	ANSI B16.1 Flanş/Flange

PROPERTIES / ÖZELLİKLER

Flanged (FLGD)	Flanş Bağlantılı (FLGD)
Bolted Bonnet (BB)	Cıvatalı Kapak (BB)
Rising Stem (RS)	Yükselen Millî (RS)
Nonrising Handwheel (NRH)	Yükselmeyen Volanlı (NRH)
Outside screw and yoke (OSY)	Dıştan Vidalı Boyunduruklu (OSY)
Bolted Gand (BG)	Cıvatalı Glendilî (BG)
Conical Wedge, Renewable seat ring	Konik sürgü, Değişebilir Sitrinçli

NO	PART NAME	PARÇA ADI	MATERIAL / MALZEME
1	Body	Gövde	Cast Steel A 126 Gr. WCB / Çelik Döküm
2	Body seat	Gövde Burcu	Stainless Steel A 182 Gr. F6 / Paslanmaz Çelik
3	Wedge	Sürgü	Stainless Steel A 182 Gr. F6 / Paslanmaz Çelik
4	Stem	Mil	Stainless Steel A 182 Gr. F6 / Paslanmaz Çelik
5	Gasket	Conta	Comp. Asb. Corrugated or Spiral Wound / Komp. Amb. Corrugated veya SS Pas Çel.
6	Bonnet	Kapak	Cast Steel A 126 Gr. WCB / Çelik Döküm
7	Back Seat	Geri Ring	Stainless Steel A 182 Gr. F6 / Paslanmaz Çelik
8	Packing	Salmastra	Braided with Graphite / Grafitli Örgülü Asbest
9	Packing nut	Salmastra Baskısı	Stainless Steel A 182 Gr. F6 / Paslanmaz Çelik
10	Gland flange	Baskı flanşı	Cast Steel A 216 Gr. WCB / Çelik Döküm
11	Stud	Saplama	Cr. Mo Alloy Steel A193 Gr. B7 / Cr. Mo Alışimli Çelik
12	Nut	Somun	Carbon Steel A194 Gr. 2H / Karbon Çelîği
13	Yoke nut	Mil Yatağı	Al. Bronze / Alüminyum Bronz
14	Centering nut	Mil Yatağı Somunu	Steel / Çelik
15	Handwheel	Volan	Ductile Iron / Stero Döküm
16	Handwheel nut	Volan Somunu	Steel / Çelik



Valve Dimensions Boyut Ölçüleri ANSI B16.10				CLASS 150 Flange Dimensions Flanş Ölçüleri					Weight Ağırlık kg
DN	L	H	ØM	ØD	Øk	Øg	b	Øxn	
50	178	390	200	152.5	120.7	92	16	Ø19x4	20
65	190.5	445		178	139.7	105	17.5		25
80	203	505		190.5	152.4	127	19		30
100	228.5	595	250	229	190.5	157	24	Ø19x8	48
125	254	620		254	216	185.7	24		62
150	267	780	355	279.5	241.3	216	25.5	Ø22x8	84
200	292	1095		343	298.5	270	28.5		120
250	330	1290	450	406.5	362	324	30.2	Ø25.5x12	225
300	355.6	1450		483	431.8	381	32		280
350	381	1550	600	535	476.3	413	35	Ø28.5x12	350
400	406	1720		597	539.8	470	36.5		Ø28.5x16
450	432	1895	660	635	577.9	533.5	40	Ø32x16	560
500	457	2080		698.5	635	584	43		Ø32x20
600	508	2520	720	813	749.3	692	48	Ø35x20	1350

Valve Dimensions Boyut Ölçüleri ANSI B16.10				CLASS 300 Flange Dimensions Flanş Ölçüleri					Weight Ağırlık kg
DN	L	H	ØM	ØD	Øk	Øg	b	Øxn	
50	216	385	200	165	127	92	22.5	Ø19x8	28
65	241	440		190.5	149.3	105	25.4		30
80	282.5	515		209.5	168	127	28.5		Ø22x8
100	305	630	300	254	200	157	32	Ø22x8	80
125	381	790		279.5	235	185.7	35		130
150	403	840	400	318	269.7	216	36.5	Ø22x12	155
200	419	1140		381	330	270	41.3		Ø25.5x12
250	457	1240	600	445	387.4	324	48	Ø28.5x12	410
300	501.6	1540		521	451	381	51		Ø32x16
350	762	1650	720	585	514.4	413	54	Ø32x20	650
400	838	1745		648	571.5	470	57		Ø35x20
450	914	2120	800	711	628.6	533.5	60.5	Ø35x24	1490
500	990.6	2190		775	685.8	584	63.5		1680
600	1143	2600	900	914.5	812.8	692	69.8	Ø41x24	2100

Valve Dimensions Boyut Ölçüleri ANSI B16.10				CLASS 600 Flange Dimensions Flanş Ölçüleri					Weight Ağırlık kg
DN	L	H	ØM	ØD	Øk	Øg	b	Øxn	
50	292	430	250	165	127	92	25.5	Ø19x8	46
65	330	625		190.5	149.3	105	28.5		50
80	356	640		209.5	168	127	32		Ø22x8
100	432	665	415	273	216	157	38	Ø25.5x8	126
150	559	1080		500	355.6	292	47.8		Ø28.5x12
200	660	1135	600	419	349.2	270	55.6	Ø32x12	448
250	787	1295		508	431.8	324	63.5		Ø35x16
300	838	1530	720	559	489	381	66.5	Ø35x20	995
350	889	1760		603.3	527	413	70		Ø38x20
400	991	1980	850	686	603.2	470	76.2	Ø41x20	1680
450	1092	2295		900	743	654	82.6		Ø44.5x20
500	1194	2390	1500	813	724	584	89	Ø44.5x24	2380
600	1397	3010		940	838.2	692	102		Ø51x24

ООО «ТИ-СИСТЕМС» ИНЖИНИРИНГ И ПОСТАВКА ТЕХНОЛОГИЧЕСКОГО ОБОРУДОВАНИЯ

Интернет: www.tisys.ru www.tisys.kz www.tisys.by www.tesec.ru www.ti-sistemc.pф

Телефоны: +7 (495) 7774788, 7489626, (925) 5007155, 54, 65 Эл. почта: info@tisys.ru info@tisys.kz info@tisys.by

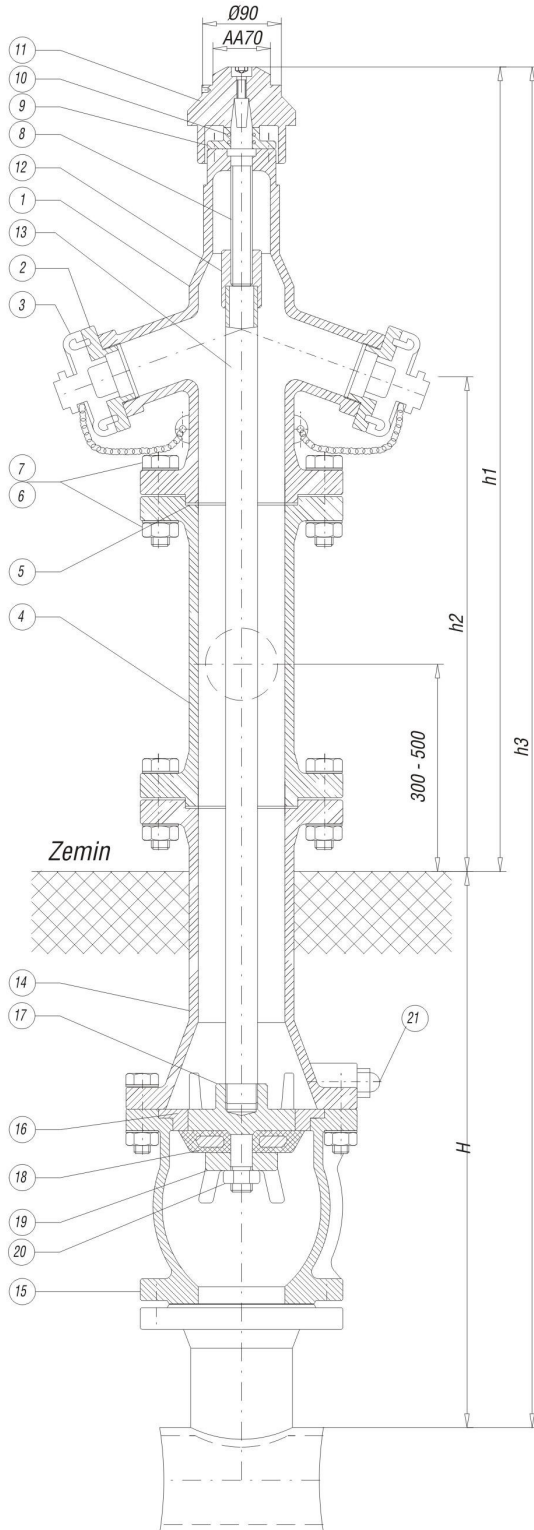
OVER GROUND FIRE HYDRANT

YER ÜSTÜ YANGIN VANASI



OVER GROUND FIRE HYDRANT
PN 10/16
TS 2821/1a - DIN 3222
DN 80 / DN 100

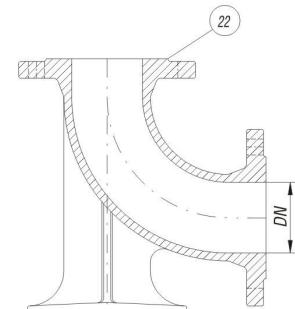
YER ÜSTÜ YANGIN VANASI
PN 10/16
TS 2821/1a - DIN 3222
DN 80 / DN 100



NO	PART NAME	PARÇA ADI	MATERIAL / MALZEME
1	Body	Gövde	GG 25/GGG-40/50
2	Coupling	Kaplin	Al Alloy
3	Cover	Kapak	Al Alloy
4	Upper pipe	Üst boru	GG 25/GGG-40/50
5	Gasket	Conta	EPDM
6	Bolt	Civata	5 D/S.S
7	Nut	Somun	5 D/Pas.Çelik
8	Stem	Mil	AISI304/MS-58
9	Gland	Mil baskısı	Ms 58/Bronze
10	O-Ring	O-Ring	EPDM
11	Cap	Mil Başlığı	GG 25
12	Stem nut	Mil somunu	Ms 58/Bronze
13	Pipe	Boru	St 37
14	Lower pipe	Alt boru	GG 25/GGG-40/50
15	Lower body	Alt gövde	GG 25/GGG-40/50
16	Disc	Disk	Ms 58/Bronze
17	Cone upper part	Üst baskı	GG 25/GGG-40/50
18	Valve cone	Kapama Elemanı	GG 25 + EPDM
19	Cone lower part	Alt baskı	GG 25/GGG-40/50
20	Nut	Somun	5 D/Pas.Çelik
21	Drainage plug	Tahliye Tapası	Ms 58/Bronze
22	90° N-piece	90° Dirsek	GG 25/GGG-40/50

	h1 min.	h2 min.	h3 ± 80	H
DN 80	1030	630	1435	550
			1750	900
DN 100			2150	1250
			2400	1500

DN	Çıkış Ölçüsü Outlet Dimension	Debi (DIN 3222)	
		Tek Çıkış - Single	Çift Çıkış - Double
80	2"	110	140
100	2 1/2"	120	210



ООО «ТИ-СИСТЕМС» ИНЖИНИРИНГ И ПОСТАВКА ТЕХНОЛОГИЧЕСКОГО ОБОРУДОВАНИЯ

Интернет: www.tisys.ru www.tisys.kz www.tisys.by www.tesec.ru www.ти-системс.рф

Телефоны: +7 (495) 7774788, 7489626, (925) 5007155, 54, 65 Эл. почта: info@tisys.ru info@tisys.kz info@tisys.by

UNDERGROUND HYDRANT (SHORT TYPE)

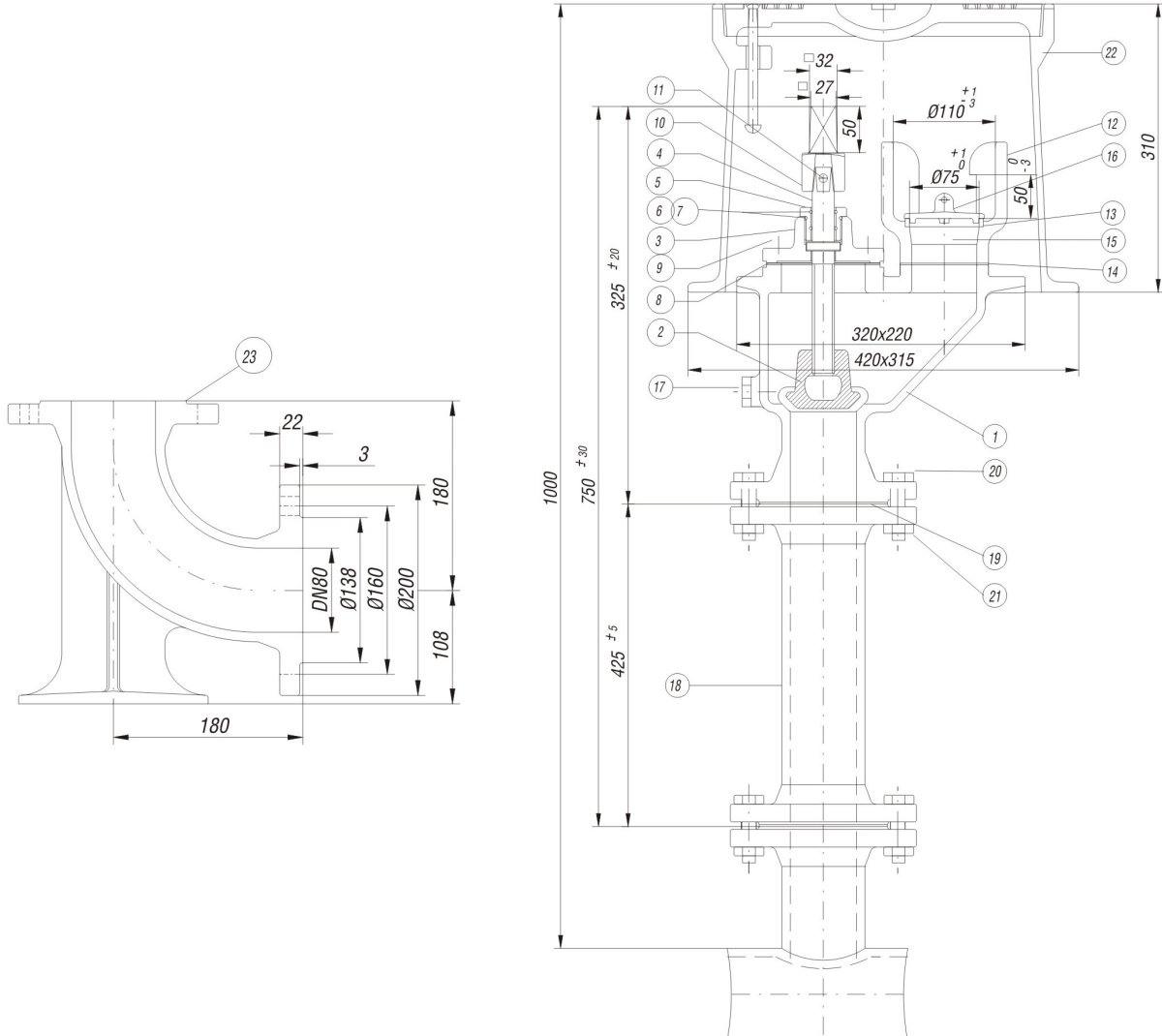
YERALTI YANGIN VANASI (KISA TİP)



UNDERGROUND HYDRANT
PN 10/16
TS 2821/2/ DIN 3221
DN 80

YANGIN VANASI
PN 10/16
TS 2821/2/ DIN 3221
DN 80

NO	PART NAME	PARÇA ADI	MATERIAL / MALZEME
1	Body	Gövde	GG 25/GGG-40/50
2	Valve cone	Kaçama Elemanı	GG 25/GGG-40/50
3	Cover	Kapak	GG 25/GGG-40/50
4	Stem	Mil	AISI304/Ms-58
5	O-Ring nut	O-Ring Somunu	Ms 58/AISI304
6	O-Ring	O-Ring	EPDM
7	O-Ring	O-Ring	EPDM
8	Gasket	Conta	EPDM
9	Bolt	Civata	5 D/S.S
10	Cap	Mil Başlığı	GG 25
11	Cotter pin	Kopilya	St-37/AISI304
12	Outlet	Kurt Ağız	GG 25/GGG-40/50
13	Outlet seat	Kurt Ağız burcu	Ms 58/AISI304
14	Gasket	Conta	EPDM
15	Bolt	Civata	5 D/S.S
16	Outlet cover	Kapak	GG 25
17	Drainage plug	Tahliye Tapası	Ms 58/Bronze
18	Flanged piece	Uzatma parçası	GG 25/GGG-40/50
19	Gasket	Conta	EPDM
20	Bolt	Civata	5 D/S.S
21	Nut	Somun	5 D/Pas.Çelik
22	Surface box	Kazan	GG 25
23	90° N-piece	90° Dirsek	GG 25/GGG-40/50



SINGLE AIR VALVE
DOUBLE AIR VALVE

TEK KÜRELİ VANTUZ
ÇİFT KÜRELİ VANTUZ



SINGLE AIR VALVE
PN 16/25
DN 50....200

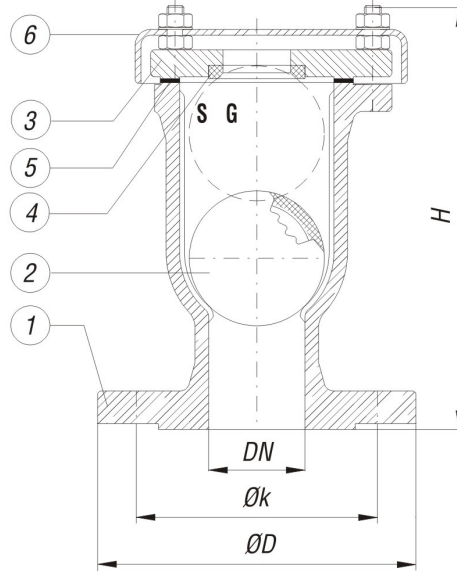
TEK KÜRELİ VANTUZ
PN 16/25
DN 50....200

NO	PART NAME	PARÇA ADI	MATERIAL / MALZEME
1	Body	Gövde	GG 25 / GGG-40
2	Ball	Küre	ST37+Perbunan
3	Cover	Kapak	GG 25 / GGG-40
4	Seal	Conta	EPDM
5	Gasket	Conta	EPDM/KLINGERİT
6	Top cover	Toz Kapağı	GG 25



DN	PN 16/10				PN 25			
	B	H	ØD	Øk	Weight Ağırlık kg	ØD	Øk	Weight Ağırlık kg
50	160	230	165	125	8	165	165	9
80	250	290	160	200	17	200	160	19
100	270	330	180	220	18	235	195	20
150	310	435	240	285	50	300	250	55
200	310	440	295	340	55	360	310	61

IN LE AIR VALVE
TEK KÜRELİ VANTUZ

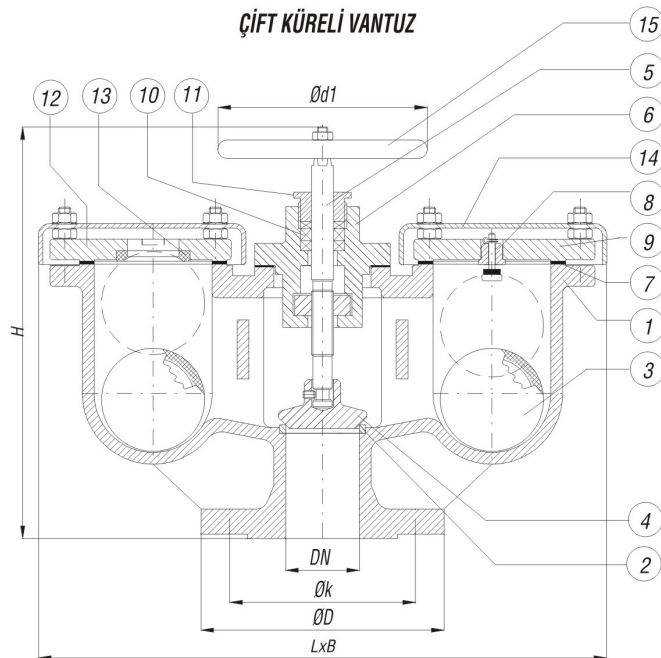


DOUBLE AIR VALVE
PN 16/25
DN 50....250

ÇİFT KÜRELİ VANTUZ
PN 16/25
DN 50....250

NO	PART NAME	PARÇA ADI	MATERIAL / MALZEME
1	Body	Gövde	GG 25 / GGG-40
2	Body seat	Gövde burcu	Ms 58/Bronze/S.S
3	Ball	Küre	ST37+EPDM
4	Disc	Klape	AISI 304
5	Stem	Mil	Ms 58/Bronze/S.S
6	Mid cover	Orta kapak	GG 25 / GGG-40
7	Gasket	Conta	EPDM/KLINGERİT
8	Nozzle	Sibob	Ms 58
9	Cover	Kapak	GG 25 / GGG-40
10	Packing	Salmastra	Teflon/Graphite
11	Packing nut	Baskı	Ms 58/Bronze/S.S
12	Cover	Kapak	GG 25 / GGG-40
13	Gasket	Conta	EPDM/KLINGERİT
14	Top cover	Üst Kapak	GG 25 / GGG-40
15	Handwheel	El Çarkı	GG 25

DOUBLE AIR VALVE
ÇİFT KÜRELİ VANTUZ



DN	PN 16/10							PN 25		
	d1	H	L	B	ØD	Øk	Weight Ağırlık kg	ØD	Øk	Weight Ağırlık kg
50	200	320	400	160	165	125	23	165	125	25.5
80	250	415	650	250	200	160	62.5	200	160	69
100	250	470	680	270	220	180	63.7	235	190	70
150	400	570	760	310	285	240	130	300	250	130
200	400	675	910	380	340	295	240	360	310	264
250	500	675	910	380	405	355	253	425	370	278

ООО «ТИ-СИСТЕМС» ИНЖИНИРИНГ И ПОСТАВКА ТЕХНОЛОГИЧЕСКОГО ОБОРУДОВАНИЯ

Интернет: www.tisys.ru www.tisys.kz www.tisys.by www.tesec.ru www.ti-sistemc.pф

Телефоны: +7 (495) 7774788, 7489626, (925) 5007155, 54, 65 Эл. почта: info@tisys.ru info@tisys.kz info@tisys.by

IRRIGATION HYDRANT FLANGED(DOUBLE OUTLET) A2 TİPİ SULAMA HİDRANTI (ÇİFT ÇIKIŞLI)



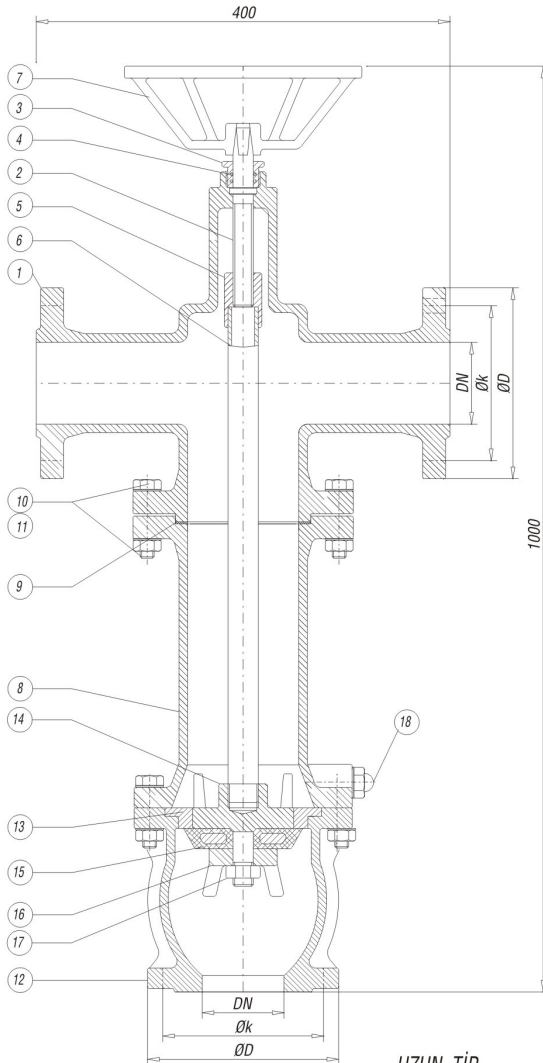
IRRIGATION HYDRANT (DOUBLE OUTLET)
LONG and SHORT TYPE
PN 10/16
DN 80, DN100, DN150

FLANŞLI SULAMA HİDRANTI ÇİFT ÇIKIŞLI
UZUN ve KISA TİP
PN 10/16
DN 80, DN100, DN150

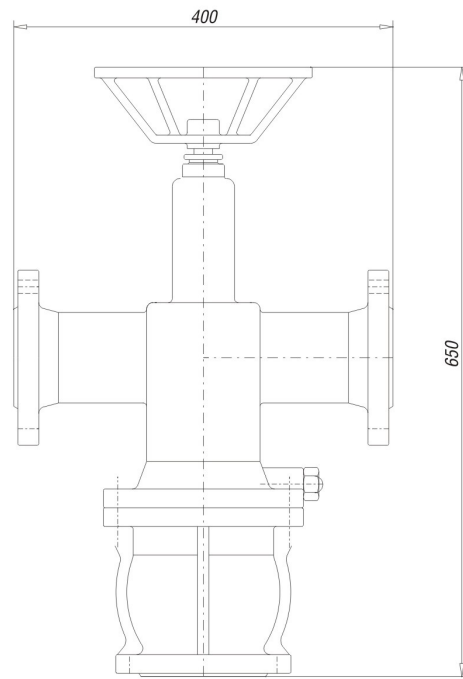
Flange Dimension DIN 2501/TS 810 PN 16	ØD	Giriş Ölçüsü Inlet Dimension			Çıkış Ölçüsü Outlet Dimension
		DN80	DN100	DN150	DN100
	Øk	160	180	240	180

Giriş Ölçüsü Inlet Dimension	Çıkış Ölçüsü Outlet Dimension	Test Basıncı - Test Pressure	
		Gövde - Body	Klap - Disc
80	100	24 Bar	16 Bar
100			
150			

NO	PART NAME	PARÇA ADI	MATERIAL / MALZEME
1	Body	Gövde	GG 25/GGG-40/50
2	Stem	Mil	AlSi304/MS-58
3	O-Ring nut	O-Ring somunu	MS 58
4	O-Ring	O-Ring	EPDM
5	Stem nut	Mil somunu	MS 58/Bronze
6	Pipe	Boru	St 37
7	Handwheel	Volan	GG 25
8	Mid pipe	Orta boru	GG 25/GGG-40/50
9	Gasket	Conta	EPDM
10	Bolt	Civata	5 D/S.S
11	Nut	Somun	5 D/Pas.Çelik
12	Lower body	Alt gövde	GG 25/GGG-40/50
13	Disc	Disk	MS 58/Bronze
14	Cone upper part	Üst baskı	GG 25/GGG-40/50
15	Valve cone	Kapama Elemanı	GG 25 + EPDM
16	Cone lower part	Alt baskı	GG 25/GGG-40/50
17	Nut	Somun	5 D/Pas.Çelik
18	Drainage plug	Tahliye Tapası	MS 58



UZUN TİP
LONG TYPE



KISA TİP
SHORT TYPE

ООО «ТИ-СИСТЕМС» ИНЖИНИРИНГ И ПОСТАВКА ТЕХНОЛОГИЧЕСКОГО ОБОРУДОВАНИЯ

Интернет: www.tisys.ru www.tisys.kz www.tisys.by www.tesec.ru www.ти-системс.рф

Телефоны: +7 (495) 7774788, 7489626, (925) 5007155, 54, 65 Эл. почта: info@tisys.ru info@tisys.kz info@tisys.by

IRRIGATION HYDRANT FLANGED(SINGLE OUTLET)

A1 TİPİ SULAMA HİDRANTI (TEK ÇIKIŞLI)

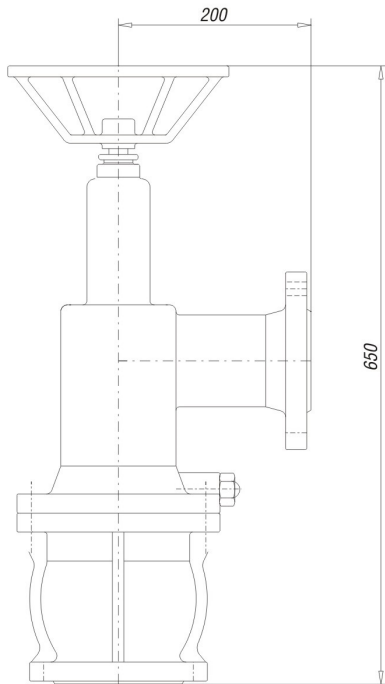


IRRIGATION HYDRANT (SINGLE OUTLET) FLANŞLI SULAMA HİDRANTI TEK ÇIKIŞLI
 LONG and SHORT TYPE UZUN ve KISA TİP
 PN 10/16 PN 10/16
 DN 80, DN100, DN150 DN 80, DN100, DN150

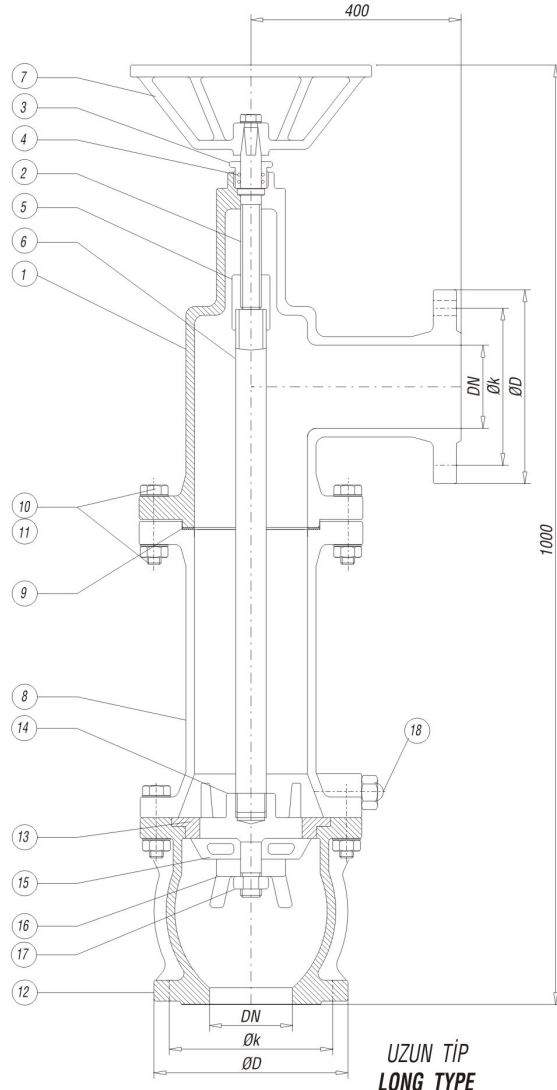
NO	PART NAME	PARÇA ADI	MATERIAL / MALZEME
1	Body	Gövde	GG 25/GGG-40/50
2	Stem	Mil	AISI304/Ms-58
3	O-Ring nut	O-Ring somunu	Ms 58
4	O-Ring	O-Ring	EPDM
5	Stem nut	Mil somunu	Ms 58/Bronze
6	Pipe	Boru	St 37
7	Handwheel	Volan	GG 25
8	Mid pipe	Orta boru	GG 25/GGG-40/50
9	Gasket	Conta	EPDM
10	Bolt	Civata	5 D/S.S
11	Nut	Somun	5 D/Pas.Çelik
12	Lower body	Alt gövde	GG 25/GGG-40/50
13	Disc	Disk	Ms 58/Bronze
14	Cone upper part	Ust baskı	GG 25/GGG-40/50
15	Valve cone	Kapama Elemanı	GG 25 + EPDM
16	Cone lower part	Alt baskı	GG 25/GGG-40/50
17	Nut	Somun	5 D/Pas.Çelik
18	Drainage plug	Tahliye Tapası	Ms 58

Flange Dimension DIN 2501/TS 810 PN 16	ØD Øk	Inlet Dimension Giriş Ölçüsü			Outlet Dimension Çıkış Ölçüsü
		DN80	DN100	DN150	DN100
	ØD	200	220	285	220
	Øk	160	180	240	180

Inlet Dimension Giriş Ölçüsü	Outlet Dimension Çıkış Ölçüsü	Test Pressure / Test Basınçları	
		Body / Gövde	Disc / Klapa
80	100	24 Bar	16 Bar
100			
150			



KISA TİP
SHORT TYPE



UZUN TİP
LONG TYPE

ООО «ТИ-СИСТЕМС» ИНЖИНИРИНГ И ПОСТАВКА ТЕХНОЛОГИЧЕСКОГО ОБОРУДОВАНИЯ

Интернет: www.tisys.ru www.tisys.kz www.tisys.by www.tesec.ru www.ti-sistemc.pф

Телефоны: +7 (495) 7774788, 7489626, (925) 5007155, 54, 65 Эл. почта: info@tisys.ru info@tisys.kz info@tisys.by

STRAINER BASKET(Suctio strainer)

KREPİN



STRAINER BASKET(Suctio strainer)

KREPİN VKF-10

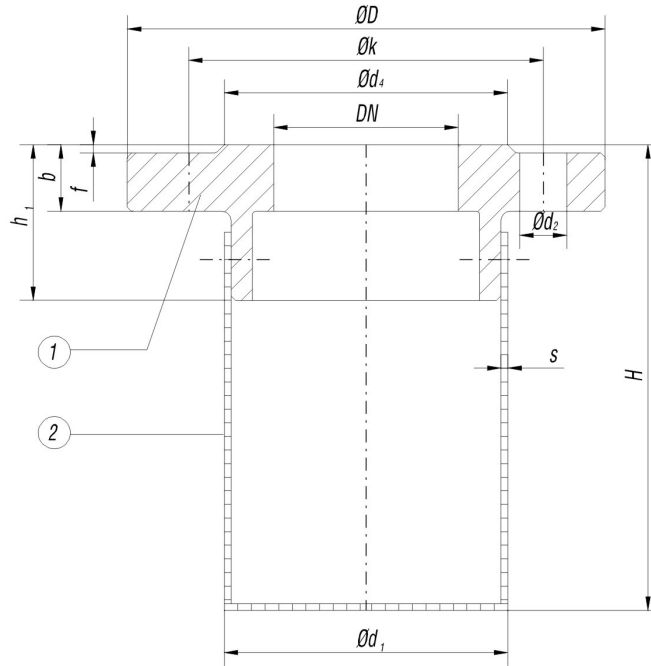
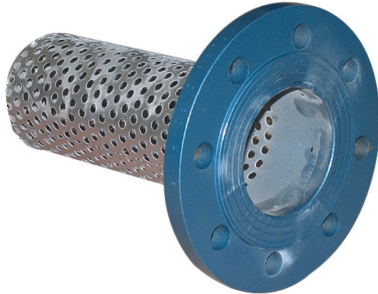
DN40...400 - PN10

DN450...700 - PN2.5

DIN 3247

DN 40....700

NO	PART NAME	PARÇA ADI	MATERIAL / MALZEME
1	Body	Gövde	GG 25/RSt 37-2
2	Basket	Filtre	RSt 37-2(gal.Zn) /304



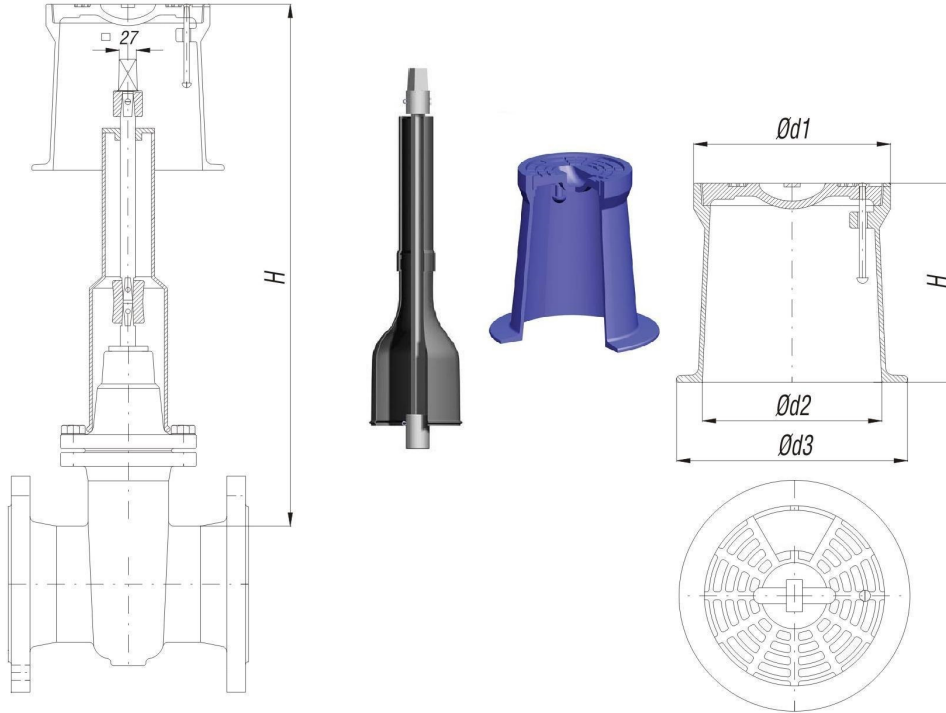
Anma Çapı DN	FLANŞ FLANGE			FATURA FACING		CİVATALAR BOLT DIMENSIONS			FİLTRE FİLTRE		h ₁	H
	ØD	Øk	b	Ød ₄	f	Delik Adedi Holes of	Ød ₂	Civata Çapı Bolt Diamet.	Ød ₁	s		
40	150	110	18	84	2	4	18	M16	71	1.5	50	130
50	165	125	20	99					81			
65	185	145		22	118	8	22	M20	101	2	60	160
80	200	160	132		111							
100	220	180	24	156	12	26	M24	140	2.5	85	195	
125	250	210		184				161				
150	285	240	26	211	16	26	M24	190	2.5	95	285	
200	340	295		266				235				
250	395	350	28	319	20	29.5	M27	295	2.5	1030	460	
300	445	400		370				345				
350	505	460	34	429	24	29.5	M27	410	2.5	1215	600	
400	565	515		480				454				
450	615	565	34	530	24	29.5	M27	474	2.5	1215	880	
500	670	620		582				554				
600	780	725	34	682	24	29.5	M27	654	2.5	1215	1030	
700	895	840		794				774				

ООО «ТИ-СИСТЕМС» ИНЖИНИРИНГ И ПОСТАВКА ТЕХНОЛОГИЧЕСКОГО ОБОРУДОВАНИЯ

Интернет: www.tisys.ru www.tisys.kz www.tisys.by www.tesec.ru www.ти-системс.рф

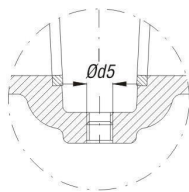
Телефоны: +7 (495) 7774788, 7489626, (925) 5007155, 54, 65 Эл. почта: info@tisys.ru info@tisys.kz info@tisys.by

ISOLATING GATE VALVES - SURFACE BOXES
BUŞAKLELİ SÜRGÜLÜ VANALAR - BUŞAKLE KAZANI



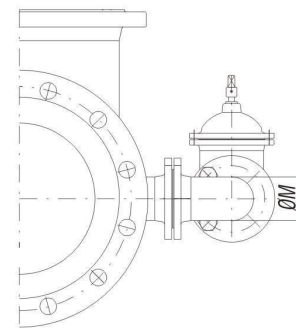
Standart buşakle yükseklikleri. H			
DN40.....DN300			
0.75 m	1.00 m	1.25 m	1.5 m

	Ød1	Ød2	Ød3	H	AĞIRLIK
1	Ø112	Ø102	Ø172	253	5.400
2	Ø173	Ø183	Ø259	245	8.900



Drain Plug
Direnaj Tapası

Тапа Ölçüleri- Ød5			
DN40.....150	DN200...300	DN350...600	DN700...900
R 1/2"	R 3/4"	R 1"	R 1 1/2"



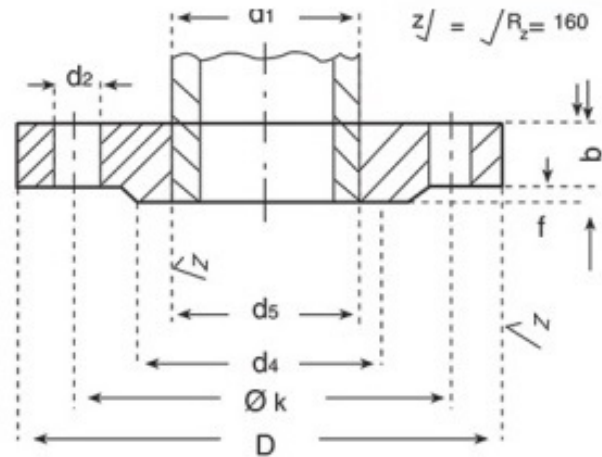
By-Pass Dimensions
By-Pass Ölçüleri

ØM By-pass Çapları				
DN350...450	DN500	DN 600/700	DN800	DN900
DN 40	DN 50	DN 65	DN 80	DN 100

► DÜZ FLANŞ / FLAT FLANGE

PN 10

EN 1092-1



BORU / PIPE		FLANŞ / FLANGE				FATURA RAISED FACE		CIVATALAR BOLTS			Ağırlık Weight (7,85 kg/dm ³) kg.	
Anma Boyutu DN	d ₁		d ₅	D	b	k	f	d ₄	Delik Hole	Vida Screw		d ₂
	Sıra 1	Sıra 2										
15	-	20	21	95	14	65	2	45	4	M 12	14	0,60
	21,3	-	22									
20	-	25	26	105	16	75	2	58	4	M 12	14	0,90
	26,9	-	27,5									
25	-	30	31	115	16	85	2	68	4	M 12	14	1,10
	33,7	-	34,5									
32	-	38	39	140	18	100	2	78	4	M 16	18	1,70
	42,4	-	43,5									
40	-	44,5	45,5	150	18	110	3	88	4	M 16	18	1,95
	48,3	-	49,5									
50	-	57	58,1	165	20	125	3	102	4	M 16	18	2,58
	60,3	-	61,5									
65	76,1	-	77,5	185	20	145	3	122	4	M 16	18	2,96
80	88,9	-	90,5	200	20	160	3	138	8	M 16	18	3,44
100	-	108	109,6	220	22	180	3	158	8	M 16	18	4,30
	114,3	-	116									
125	-	133	134,8	250	22	210	3	188	8	M 16	18	5,10
	139,7	-	141,5									
150	-	159	161,1	285	24	240	3	212	8	M 20	22	6,73
	168,3	-	170,5									
200	219,1	-	221,5	340	24	295	3	268	8	M 20	22	8,30
250	-	267	270,2	395	26	350	3	320	12	M 20	22	11,20
	273,0	-	276,5									
300	323,9	-	327,5	445	26	400	4	370	12	M 20	22	12,80
	355,6	-	359,5									
350	-	368	372,2	505	30	460	4	430	16	M 20	22	21,05
	406,4	-	411									
400	-	419	423,7	565	32	515	4	482	16	M 24	26	26,42
450	457,0	-	462	615	36	565	4	532	20	M 24	26	31,92
500	508,0	-	513,5	670	38	620	4	585	20	M 24	26	38,85
600	610,0	-	616,5	780	42	725	5	685	20	M 27	30	52,74
700	711	-	SAB	895	50	800	5	800	24	M 27	30	-
800	813	-	SAB	1015	56	950	5	905	24	M 30	33	-
900	914	-	SAB	1115	62	1050	5	1005	28	M 30	33	-
1000	1016	-	SAB	1230	70	1160	5	1110	28	M 33	36	-

ООО «ТИ-СИСТЕМС» ИНЖИНИРИНГ И ПОСТАВКА ТЕХНОЛОГИЧЕСКОГО ОБОРУДОВАНИЯ

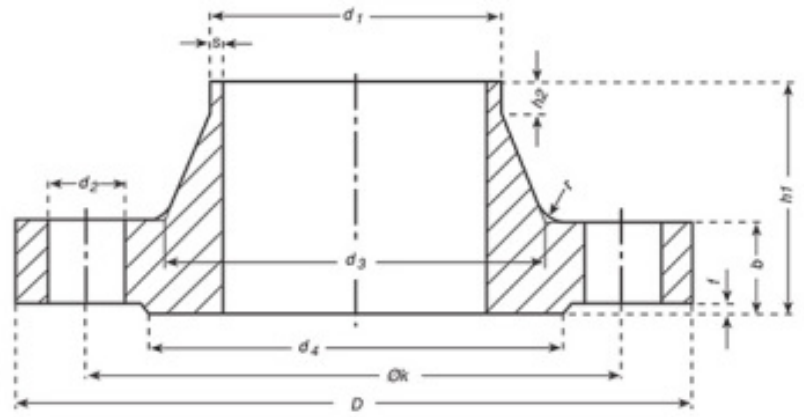
Интернет: www.tisys.ru www.tisys.kz www.tisys.by www.tesec.ru www.tisys.com.tr

Телефоны: +7 (495) 7774788, 7489626, (925) 5007155, 54, 65 Эл. почта: info@tisys.ru info@tisys.kz info@tisys.by

www.valfon.com.tr

► KAYNAK BOYUNLU FLANŞ / WELDING NECK FLANGE

- Anma Basıncı / PN : 16 kgf/cm²
- DIN 2633
- EN 1092-1 TİP II



BORU PIPE			FLANŞ FLANGE			BOYUN NECK				ALIN ÇIKINTISI RAISED FACE		CIVATALAR BOLTS			Ağırlık Weight (7,85 kg/dm ³) kg.
d	d ₁	D	b	k	h ₁	d ₃	s	r	h ₂	d ₄	f	Delik Hole	Vida Screw	d ₂	
10	14 17,2	90	16	60	35	25 28	1,8	4	6	40	2	4	M 12	14	0,580
15	20 21,3	95	16	65	38	30 32	2	4	6	45	2	4	M 12	14	0,648
20	25 26,9	105	18	75	40	38 40	2,3	4	6	58	2	4	M 12	14	0,952
25	30 33,7	115	18	85	40	42 45	2,6	4	6	68	2	4	M 12	14	1,14
32	38 42,4	140	18	100	42	52 56	2,6	6	6	78	2	4	M 16	18	1,69
40	44,5 48,3	150	18	110	45	60 64	2,6	6	7	88	3	4	M 16	18	1,86
50	57 60,3	165	18	125	45	72 75	2,9	6	8	102	3	4	M 16	18	2,53
65	76,1	185	18	145	45	90	2,9	6	10	122	3	4	M 16	18	3,06
80	88,9	200	20	160	50	105	3,2	8	10	138	3	8	M 16	18	3,70
100	108 114,3	220	20	180	52	125 131	3,6	8	12	158	3	8	M 16	18	4,62
125	133 139,7	250	22	210	55	150 156	4	8	12	188	3	8	M 16	18	6,30
150	159 168,3	285	22	240	55	175 184	4,5	10	12	212	3	8	M 20	22	7,75
175	191 193,7	315	24	270	60	208 210	5,4	10	12	242	3	8	M 20	22	10,0
200	216 219,1	340	24	295	62	232 235	5,9	10	16	268	3	12	M 20	22	11,0
250	267 273	405	26	355	70	285 292	6,3	12	16	320	3	12	M 24	26	15,6
300	318 323,9	460	28	410	78	338 344	7,1	12	16	378	4	12	M 24	26	22,0
350	355,6 368	520	30	470	82	390	8	12	16	438	4	16	M 24	26	28,7
400	406 419	580	32	525	85	445	8	12	16	490	4	16	M 27	30	36,3
500	508 521	715	36	650	84	548	8	12	16	610	4	20	M 30	33	59,3
600	609,6 622	840	40	770	88	652	8,8	12	18	725	5	20	M 33	36	73,4
700	711,2 720	910	40	840	104	755	8,8	12	18	795	5	24	M 33	36	75,0
800	812,8 820	1025	41	950	108	855	10	12	20	900	5	24	M 36	39	99,0
900	914,4 920	1125	48	1050	118	955	10	12	20	1000	5	28	M 36	39	119
1000	1016 1020	1255	53	1150	127	1055	10	12	20	1100	5	32	M 42	42	159

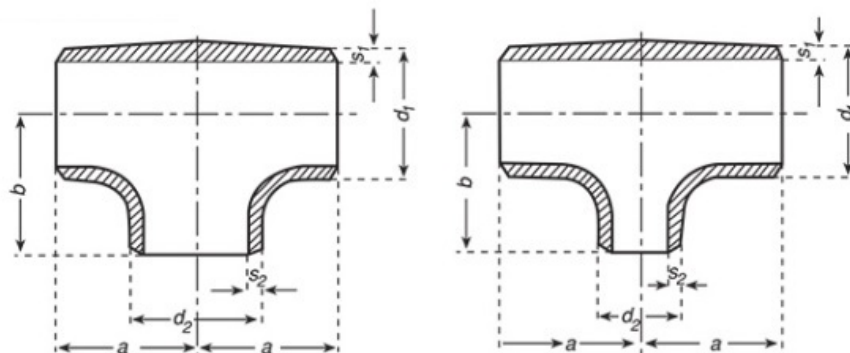
ООО «ТИ-СИСТЕМС» ИНЖИНИРИНГ И ПОСТАВКА ТЕХНОЛОГИЧЕСКОГО ОБОРУДОВАНИЯ

Интернет: www.tisys.ru www.tisys.kz www.tisys.by www.tesec.ru www.ti-sistems.by

Телефоны: +7 (495) 7774788, 7489626, (925) 5007155, 54, 65 Эл. почта: info@tisys.ru info@tisys.kz info@tisys.by

T - FITTING / TEE

DIN 2615
TS 2649/6
TS EN 10253-1



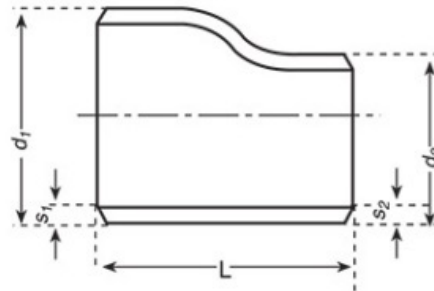
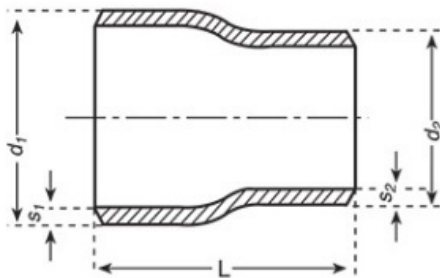
ÇAP Dia. d1	KALINLIK Wall Thickness s1			ÇAP Dia. d2	KALINLIK Wall Thickness s2			a	b			
	SCH 20	SCH 40	SCH 80		SCH 20	SCH 40	SCH 80					
21,3	2	2,9		21,3	2	2,9		25	25			
				17,2	1,8					25		
				13,5	1,8					25		
26,9	2,3	2,9		26,9	2,3	2,9		29	29			
				21,3	2					29		
				17,2	1,8					29		
33,7	2,6	3,6		33,7	2,6	3,6		38	38			
				26,9	2,3					38		
				21,3	2					38		
42,4	2,6	3,6		42,4	2,6	3,6		48	48			
				33,7	2,6					48		
				26,9	2,3					48		
48,3	2,9	3,6		48,3	2,6	3,6		57	57			
				42,4	2,6					57		
				33,7	2,6					57		
				26,9	2,3					57		
60,3	2,9	4	5,6	60,3	2,9	4		64	64			
				48,3	2,6					3,6	5,6	
				42,4	2,6					3,6		
				33,7	2,6					3,6		
76,1	2,9	5,6	7,1	76,1	2,9	5,6		76	76			
				60,3	2,6					4	7,1	
				48,3	2,6					3,6		5,6
				42,4	2,6					3,6		
88,9	3,2	5,6	8	88,9	3,2	5,6		86	86			
				76,1	2,9					5,6	8	
				60,3	2,9					4		7,1
				48,3	2,6					3,6		
114,3	3,6	6,3	8,8	114,3	3,6	6,3		105	105			
				88,9	3,2					5,6	8,8	
				76,1	2,9					5,6		7,1
				60,3	2,9					4		
139,7	4,5	7,1	10	139,7	4	7,1		124	124			
				114,3	3,6					6,3	8,8	
				88,9	3,2					5,6		8
				76,1	2,9					5,6		
168,3	4,5	7,1	11	168,3	4,5	7,1		143	143			
				139,7	4					7,1	10	
				114,3	3,6					6,3		8,8
				88,9	3,2					5,6		
219,1	5,9	8	12,5	219,1	5,9	8		178	178			
				168,3	4,5					7,1	12,5	
				139,7	4					7,1		10
				114,3	3,6					6,3		
273	6,3	10	12,5	273	6,3	10		216	216			
				219,1	5,9					8	12,5	
				168,3	4,5					7,1		11
				139,7	7					7,1		
323,9				323,9	7,1	10		254	254			
				273	6,3					10	12,5	
				219,1	5,9					8		10,5
				168,3	4,5					7,1		

ООО «ТИ-СИСТЕМС» ИНЖИНИРИНГ И ПОСТАВКА ТЕХНОЛОГИЧЕСКОГО ОБОРУДОВАНИЯ
Интернет: www.tisys.ru www.tisys.kz www.tisys.by www.tisys.pl www.tisys.ua www.tisys.lv

Телефоны: +7 (495) 7774788, 7489626, (925) 5007155, 54, 65 Эл. почта: info@tisys.ru info@tisys.kz info@tisys.by

REDÜKSİYON / REDUCER

- DIN 2616
- TS 2649/7
- TS EN 10253-1



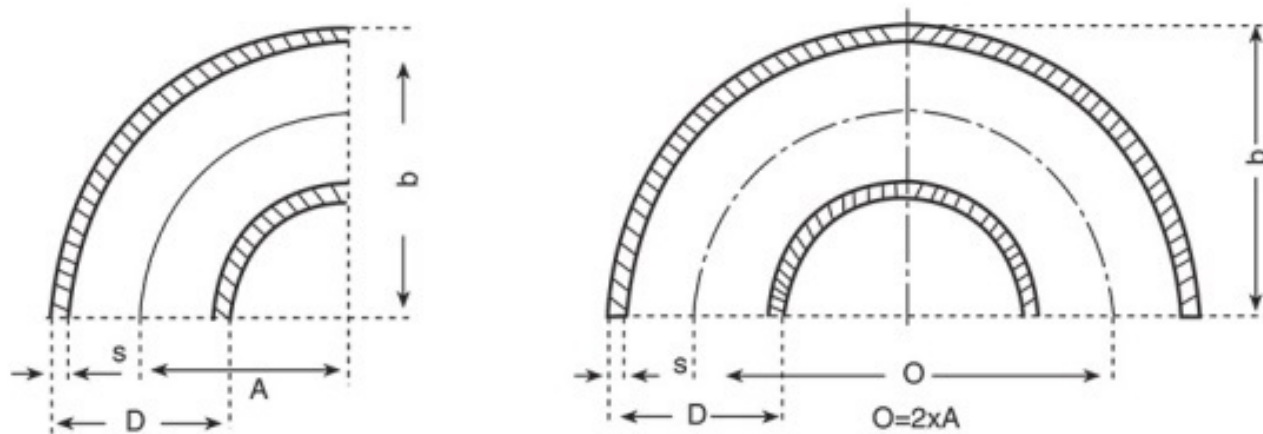
ÇAP Dia. d1	KALINLIK Wall Thickness s1			ÇAP Dia. d2	KALINLIK Wall Thickness s2			L
	SCH 20	SCH 40	SCH 80		SCH 20	SCH 40	SCH 80	
26,9	2,3	2,9		21,3	2			38
				17,2	1,8			38
33,7	2,6	3,6		26,9	2,3	2,9		50
				21,3	2	2,9		50
42,4	2,6	3,6		33,7	2,6	3,6		50
				26,9	2,3	2,9		50
				21,3	2	2,9		50
				21,3	2	2,9		50
48,3	2,6	3,6		42,4	2,6	3,6		64
				33,7	2,6	3,6		64
				26,9	2,3	2,9		64
60,3	2,9	4	5,6	48,3	2,6	3,6		76
				42,4	2,6	3,6	5,6	76
				33,7	2,6	3,6		76
				33,7	2,6	3,6		76
76,1	2,9	5,6	7,1	60,3	2,9	4		90
				48,3	2,6	3,6	5,6	90
				42,4	2,6	3,6		90
				42,4	2,6	3,6		90
88,9	3,2	5,6	8	76,1	2,9	5,6		90
				60,3	2,9	4	7,1	90
				48,3	2,6	3,6	5,6	90
114,3	3,6	6,3	8,8	88,9	3,2	5,6	8	100
				76,1	2,9	5,6	7,1	100
				60,3	2,9	4	5,6	100
				60,3	2,9	4	5,6	100
139,7	4	7,1	10	114,3	3,6	6,3	8,8	127
				88,9	3,2	5,6	8	127
				76,1	2,9	5,6	7,1	127
				76,1	2,9	5,6	7,1	127
168,3	4,5	7,1	11	139,7	4	7,1	10	140
				114,3	3,6	6,3	8,8	140
				88,9	3,2	5,6	8	140
				88,9	3,2	5,6	8	140
219,1	5,9	8	12,5	168,3	4,5	7,1	11	152
				139,7	4	7,1	10	152
				114,3	3,6	6,3	8,8	152
				114,3	3,6	6,3	8,8	152
273	6,3	10	12,5	219,1	5,9	8	12,5	178
				168,3	4,5	7,1	11	178
				139,7	4	7,1	10	178
				139,7	4	7,1	10	178
323,9	7,1	10	12,5	273	6,3	10	12,5	203
				219,1	5,9	8	12,5	203
				168,3	4,5	7,1	11	203
				168,3	4,5	7,1	11	203

ООО «ТИ-СИСТЕМС» ИНЖИНИРИНГ И ПОСТАВКА ТЕХНОЛОГИЧЕСКОГО ОБОРУДОВАНИЯ
 Интернет: www.tisys.ru www.tisys.kz www.tisys.by www.tesec.ru www.ti-sistemc.prf

Телефоны: +7 (495) 7774788, 7489626, (925) 5007155, 54, 65 Эл. почта: info@tisys.ru info@tisys.kz info@tisys.by www.valfen.com.tr

► DİRSEK / ELBOW

- ASME/ASTM A 234 , ANSI B16.9
- SCH 40 & SCH80
- LONG RADIUS



Dış Çap Outside Dia. D		Ortalama Çap. A		Yükseklik b	SCH 40		SCH 80	
					Et Kalınlığı Wall Thick. s	90° Ağırlık Theor. Weight	Et Kalınlığı Wall Thick. s	90° Ağırlık Theor. Weight
(inch)	(mm)	(mm)	Tolerans	(mm)	(mm)	Kg	(mm)	Kg
3/4"	26,9	28,5	± 2,5	42	2,9	0,077	3,9	0,100
1"	33,7	38		55	3,38	0,154	4,55	0,195
1 1/4"	42,4	47,5		69	3,56	0,263	4,85	0,340
1 1/2"	48,3	57	± 3	81	3,68	0,376	5,08	0,481
2"	60,3	76		106	3,91	0,676	5,54	0,907
2 1/2"	76,1	95		133	5,16	1,40	7,01	1,730
3"	88,9	114,5		159	5,49	2,080	7,62	2,780
4"	114,3	152,5		210	6,02	4,020	8,56	5,460
5"	139,7	190,5	± 4	260	6,67	6,770	9,53	9,100
6"	168,3	228,5		313	7,11	10,900	10,97	15,500
8"	219,1	305	± 5	415	8,18	20,900	12,7	31,000
10"	273	381		517	9,27	37,700	12,7	49,400
12"	323,9	457	± 10	619	9,53	55,800	12,7	71,200
14"	355,6	533,5		711	9,53	71,500	12,7	91,600
16"	406,4	609,5		813	9,53	93,600	12,7	120,000
18"	457,2	686		914	9,53	119,000	12,7	157,000
20"	508	762	± 25	1016	9,53	147,000	12,7	190,000

ООО «ТИ-СИСТЕМС» ИНЖИНИРИНГ И ПОСТАВКА ТЕХНОЛОГИЧЕСКОГО ОБОРУДОВАНИЯ

Интернет: www.tisys.ru www.tisys.kz www.tisys.by www.tesec.ru www.ti-sistems.ru

Телефоны: +7 (495) 7774788, 7489626, (925) 5007155, 54, 65 Эл. почта: info@tisys.ru info@tisys.kz info@tisys.by

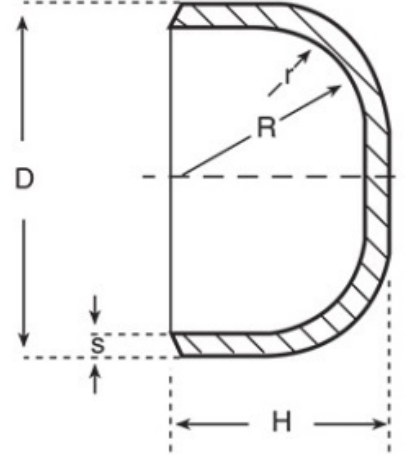
www.valfon.com.tr

KEP / CAP

DIN 2617
TS EN 10253-1
TS 2649/5



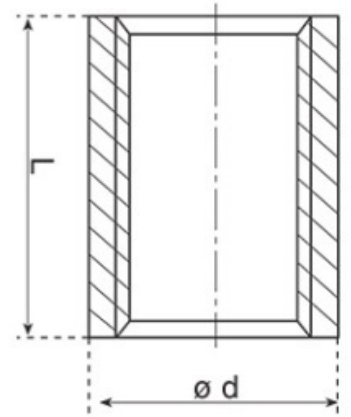
Çap O.D. D mm	Et kalınlığı Wall Thickness S			Boy Length H ca. mm	Ortalama Ağırlık Approx. Weight		
	SCH 20 mm	SCH 40 mm	SCH 80 mm		SCH 20 mm	SCH 40 mm	SCH 80 mm
21,3	2	2,9	3,6	32	0,02	0,03	0,04
26,9	2,3	2,9	4	32	0,04	0,05	0,07
30	2,6	3,6	4,5	38	0,07	0,09	0,12
33,7	2,6	3,6	4,5	38	0,07	0,09	0,13
38	2,6	3,6	4,8	38	0,10	0,14	0,16
42,4	2,6	3,6	4,8	38	0,11	0,15	0,18
44,5	2,6	3,6	5,1	38	0,13	0,18	0,20
48,3	2,6	3,6	5,1	38	0,14	0,19	0,22
57	2,9	4	5,6	38	0,25	0,31	0,44
60,3	2,9	4	5,6	38	0,26	0,32	0,45
76,1	2,9	5,6	7,1	38	0,34	0,52	0,68
88,9	3,2	5,6	8	50	0,50	0,76	1,26
101,6	3,6	6,3	8,8	60	0,94	1,32	1,87
108	3,6	6,3	8,8	64	0,96	1,34	1,91
114,3	3,6	6,3	8,8	64	1,07	1,49	2,13
133	4	7,1	10	75	1,40	2,25	3,10
139,7	4	7,1	10	75	1,55	2,50	3,45
159	4,5	7,1	11	90	2,40	3,20	4,75
168,3	4,5	7,1	11	90	2,65	3,55	5,30
219,1	5,9	8	12,5	100	5,20	6,70	10,35
267	6,3	10	12,5	127	7,75	9,70	13,55
273	6,3	10	12,5	127	8,10	10,10	14,15
323,9	7,1	11	12,5	152	11,75	16,15	17,80



MANŞON / COUPLING

EN 10241

ANMA BOYU		Dış Çap d min.	YAPIM BOYU L min.
mm.	Parmak karşılığı		
6	R 1/8	14	17
8	R 1/4	18,5	25
10	R 3/8	21,3	26
15	R 1/2	26,4	34
20	R 3/4	31,8	36
25	R 1	39,5	43
32	R 1 1/4	48,3	48
40	R 1 1/2	54,5	48
50	R 2	66,3	56
65	R 2 1/2	82	65
80	R 3	95	71
100	R 4	122	83
125	R 5	147	99
150	R 6	173	117



ООО «ТИ-СИСТЕМС» ИНЖИНИРИНГ И ПОСТАВКА ТЕХНОЛОГИЧЕСКОГО ОБОРУДОВАНИЯ

Интернет: www.tisys.ru www.tisys.kz www.tisys.by www.tesec.ru www.ti-sistem.ru

www.valfon.com.tr

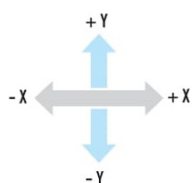
Телефоны: +7 (495) 7774788, 7489626, (925) 5007155, 54, 65 Эл. почта: info@tisys.ru info@tisys.kz info@tisys.by

DILATATION EXPANSION JOINT WITH TIE RODS - FLANGED

Product Code	Definition
DK25 - F	Dilatation Expansion Joint With Tie Rods Flanged ± 25 mm Expansion
DK50 - F	Dilatation Expansion Joint With Tie Rods Flanged ± 50 mm Expansion
DK75 - F	Dilatation Expansion Joint With Tie Rods Flanged ± 75 mm Expansion
DK100 - F	Dilatation Expansion Joint With Tie Rods Flanged ± 100 mm Expansion

GENERAL

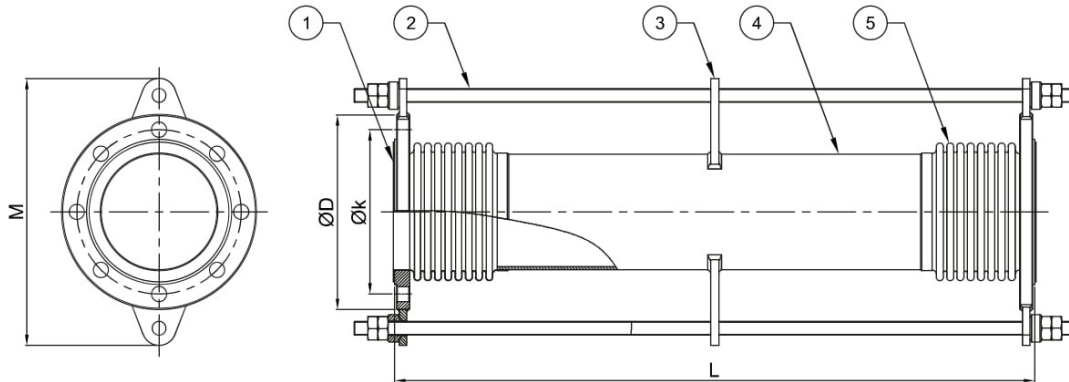
Dilatation expansion joints are the interconnection elements that ensure uninterrupted and efficient operation of the installation in the joints of buildings with different foundations (Dilatation), by absorbing strain and rupture that can occur in the pipelines due to building collapses or earthquakes, and lateral deviations. These types of expansion joints consisting of double bellows can be fixed to the desired expansion amounts by using limit rods. They can be used at all Dilatation points in building passages.



Standard Product Materials		Optional Product Materials
Bellows	1.4301 (AISI 304)	1.4541 / 1.4401 / Titanium / Incoloy 800H / Inconel etc.
Tie Rod Holders	1.0038 (St 37-2)	Stainless Steel
Flanges	1.0038 (St 37-2)	Stainless Steel
Intermediate Pipe	1.0038 (St 37-2)	Stainless Steel

Design Parameters	
Design Pressure	16 Bar (1 Bar...64 Bar)
Design Temperature	+20 °C (-90°C...+550°C)
Diameters	DN25 (1")...DN2500 (100")
Movements	X:60mm (± 30), Y:50mm (± 25) / 100mm (± 50) / 150mm (± 75) / 200mm (± 100)
Design Standards	EJMA, EN 14917
Certifications	TSE, CE - Module H (Optional) - EAC

DILATATION EXPANSION JOINT WITH TIE RODS - FLANGED



Part Number	Specifications	
	Name	Material
1	Flange	1.0038 (S235JR / St37-2)
2	Tie Rod	1.0038 (S235JR / St37-2)
3	Tie Rod Holder	1.0038 (S235JR / St37-2)
4	Intermediate Pipe	1.0038 (S235JR / St37-2)
5	Bellows	1.4301 (AISI 304)

Diameters	LENGTH (L = mm)				ØD (mm)	Øk (mm)	Ødxn (mm)	M (mm)	Effective Area (cm ²)	
	DK25-F	DK50-F	DK75-F	DK100-F						
	X: ±30mm Y: ±25mm	X: ±30mm Y: ±50mm	X: ±30mm Y: ±75mm	X: ±30mm Y: ±100mm						
DN25	1"	260	360	460	560	115	85	14*4	205	19,0
DN32	1 1/4"	260	360	460	560	140	100	18*4	240	19,0
DN40	1 1/2"	260	360	460	560	150	110	18*4	250	24,7
DN50	2"	360	460	560	660	165	125	18*4	265	38,7
DN65	2 1/2"	360	460	560	660	185	145	18*4	285	58,0
DN80	3"	410	510	610	710	200	160	18*8	308	80,5
DN100	4"	410	510	610	710	220	180	18*8	328	129,0
DN125	5"	460	660	760	860	250	210	18*8	380	191,8
DN150	6"	460	660	760	860	285	240	22*8	413	262,7
DN200	8"	510	700	800	900	340	295	22*12	450	453,5
DN250	10"	600	800	900	1000	405	355	26*12	535	698,4
DN300	12"	640	845	940	1040	460	410	26*12	586	967,0
DN350	14"	705	1005	1045	1145	520	470	26*16	646	1149,6
DN400	16"	705	1010	1080	1180	580	525	30*16	740	1517,7
DN450	18"	740	1030	1130	1280	640	585	30*20	800	1884,2
DN500	20"	790	1090	1240	1590	715	650	33*20	895	2282,5

ООО «ТИ-СИСТЕМС» ИНЖИНИРИНГ И ПОСТАВКА ТЕХНОЛОГИЧЕСКОГО ОБОРУДОВАНИЯ

Интернет: www.tisys.ru www.tisys.kz www.tisys.by www.tesec.ru www.ти-системс.рф

Телефоны: +7 (495) 7774788, 7489626, (925) 5007155, 54, 65 Эл. почта: info@tisys.ru info@tisys.kz info@tisys.by

METAL BELLOWS AXIAL EXPANSION JOINTS – FIXED FLANGE

Product Code	Definition
EMK30 - SF	Axial Metal Expansion Joints 30mm Expansion Fixed Flange
EMK30L - SF	Axial Metal Expansion Joints 30mm Expansion With Inner Sleeve Fixed Flange
EMK60 - SF	Axial Metal Expansion Joints 60mm Expansion Fixed Flange
EMK60L - SF	Axial Metal Expansion Joints 60mm Expansion With Inner Sleeve Fixed Flange

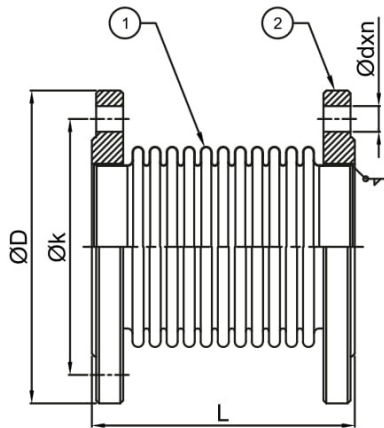
GENERAL

Axial expansion joints are designed to absorb expansion and compression movements in the longitudinal axial direction in the pipelines. Axial type expansion joints can absorb the thermal expansions that will occur due to temperature difference by fixing a flat part of the pipeline between two points. Liner used in the axial expansion joints both ensures the flow to be laminar and increases the working life of the expansion joint. In the order phase, the total amount of motion, the type of fluid in the line, the location of use, the type of connection, the working pressure and the temperature of the system should be specified.

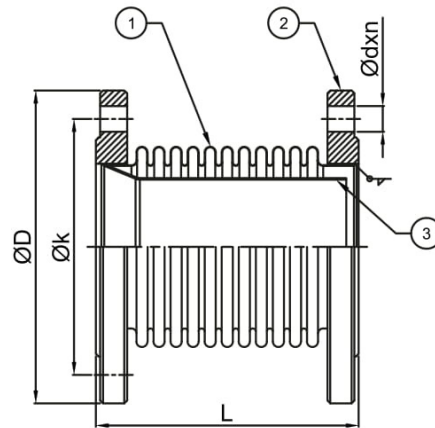


Standard Product Materials		Optional Product Materials
Bellows	1.4301 (AISI 304)	1.4541 / 1.4401 / Titanium / Incoloy 800H / Inconel etc.
Inner Sleeve	1.4301 (AISI 304)	1.4541 / 1.4401 / Titanium / Incoloy 800H / Inconel etc.
Flange	1.0038 (St 37-2 Galvaniz)	Stainless Steel

Design Parameters	
Design Pressure	16 Bar (1 Bar...40 Bar Optional)
Design Temperature	+20 °C (-90°C...+550 °C Optional)
Diameters	DN25 (1")...DN2500 (100")
Movements	30mm (-20, +10) / 60mm (-40, +20)
Design Standards	EJMA, EN 14917
Certifications	TSE, CE - Module H (Optional) , EAC



EMK...-SF



EMK...L-SF

Part Number	Specifications	
	Name	Material
1	Bellows	1.4301 (AISI 304)
2	Flange	1.0038 (S235JR / St37-2)
3	Inner Sleeve	1.4301 (AISI 304)

Diameters		LENGTH (L = mm)				ØD (mm)	Øk (mm)	Ød x n (mm)	Effective Area (cm ²)	Axial Spring Rate (N/mm)	
		EMK30-SF	EMK30L-SF	EMK60-SF	EMK60L-SF					X:30mm	X:60mm
		X:30mm	X:30mm	X:60mm	X:60mm						
DN25	1"	110		170	115	85	14*4	19,0	63,7	37,1	
DN32	1 1/4"	110		170	140	100	18*4	19,0	63,7	37,1	
DN40	1 1/2"	120		180	150	110	18*4	24,7	53,4	31,5	
DN50	2"	120		180	165	125	18*4	38,7	87,6	53,5	
DN65	2 1/2"	120		180	185	145	18*4	58,0	99,4	66,2	
DN80	3"	120		180	200	160	18*8	80,5	74,3	46,4	
DN100	4"	120		185	220	180	18*8	129,0	138,2	82,9	
DN125	5"	125		190	250	210	18*8	191,8	195,3	111,6	
DN150	6"	130		200	285	240	22*8	262,7	330,3	188,7	
DN200	8"	150		230	340	295	22*12	453,5	229,3	131,0	
DN250	10"	165		245	405	355	26*12	698,4	171,4	97,9	
DN300	12"	165		245	460	410	26*12	967,0	627,9	418,6	
DN350	14"	170		255	520	470	26*16	1149,6	807,1	448,4	
DN400	16"	170		255	580	525	30*16	1517,7	701,6	400,9	
DN450	18"	185		270	640	585	30*20	1884,2	836,0	477,7	
DN500	20"	195		285	715	650	33*20	2282,5	1043,5	695,7	

RUBBER EXPANSION JOINTS - ROTARY FLANGED

Product Code	Definition
KK10 - EPDM	Rubber Expansion Joint EPDM Rubber / Ductile Iron Casting Flanged
KK20 - EPDM	Rubber Expansion Joint EPDM Rubber / Carbon Steel Flanged
KK10 - NBR	Rubber Expansion Joint NBR Rubber / Ductile Iron Casting Flanged
KK20 - NBR	Rubber Expansion Joint NBR Rubber / Carbon Steel Flanged

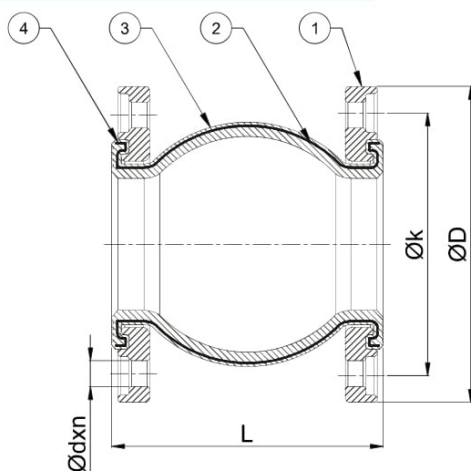
GENERAL

Rubber expansion joints are elastic and high strength parts that absorb vibration and noise in systems. They are indispensable elements of pressure or vacuum systems. Due to the elasticity of rubber based materials, they absorb high noise and vibration in all directions. Since their flanges are rotary type, they are easy to install. Due to its special design, it is not necessary to use gasket during its installation. Expansion joint strength and vibration damping capability increase thanks to special steel courts inside the rubber material. They are widely used in ventilation and air conditioning lines, shipbuilding industry, pumps inlets and outlets, waste water and sewage systems.



Standard Product Materials		Optional Product Materials
Bellows	EPDM	NBR, Neopren
Rubber Reinforcement	Steel Wire Cord Fabric	-
Flangelar	GGG 40.3 (Ductile Iron Casting)	1.0038, Stainless Steel

Design Parameters	
Design Pressure (Max.)	10 Bar
Design Temperature (Max.)	+20 °C (Max. 100 °C)
Diameters	DN32 (1 1/4")....DN700 (28")



Part Number	Specifications	
	Name	Material
1	Flange	GGG-40.3 (Ductile Iron Casting)
2	Rubber Reinforcement	Cord Fabric
3	Rubber Bellows	EPDM/ NBR
4	Steel Ring	-

Diameters		KK10-EPDM LENGTH(L=mm)	KK20-EPDM LENGTH(L=mm)	KK10-NBR LENGTH(L=mm)	KK20-NBR LENGTH(L=mm)	ØD (mm)	Øk (mm)	Ød x n (mm)
DN32	1 1/4"	100	100	100	100	140	100	18*4
DN40	1 1/2"	100 , 130, 150	100 , 130, 150	100 , 130, 150	100 , 130, 150	150	110	18*4
DN50	2"	100 , 130, 150	100 , 130, 150	100 , 130, 150	100 , 130, 150	165	125	18*4
DN65	2 1/2"	100 , 130, 150	100 , 130, 150	100 , 130, 150	100 , 130, 150	185	145	18*4
DN80	3"	100 , 130, 150	100 , 130, 150	100 , 130, 150	100 , 130, 150	200	160	18*8
DN100	4"	100 , 130, 150	100 , 130, 150	100 , 130, 150	100 , 130, 150	220	180	18*8
DN125	5"	120 , 130, 150 160, 175	120 , 130, 150 160, 175	120 , 130, 150 160, 175	120 , 130, 150 160, 175	250	210	18*8
DN150	6"	120 , 130 150, 160	120 , 130 150, 160	120 , 130 150, 160	120 , 130 150, 160	285	240	22*8
DN200	8"	120 , 130 150, 175	120 , 130 150, 175	120 , 130 150, 175	120 , 130 150, 175	340	295	22*12
DN250	10"	100, 130 175, 250	100, 130 175, 250	100, 130 175, 250	100, 130 175, 250	405	355	26*12
DN300	12"	100, 130 , 190 210, 250, 260	100, 130 , 190 210, 250, 260	100, 130 , 190 210, 250, 260	100, 130 , 190 210, 250, 260	460	410	26*12
DN350	14"	160, 210 235, 260	160, 210 235, 260	160, 210 235, 260	160, 210 235, 260	520	470	26*16
DN400	16"	220, 235, 240	220, 235, 240	220, 235, 240	220, 235, 240	580	525	30*16
DN450	18"	220, 250	220, 250	220, 250	220, 250	640	585	30*20
DN500	20"	100, 200, 270	100, 200, 270	100, 200, 270	100, 200, 270	715	650	33*20
DN600	24"	260, 300	260, 300	260, 300	260, 300	840	770	36*20
DN700	28"	275, 300	275, 300	275, 300	275, 300	910	840	36*24



Water Works

Endüstriyel Vanalar



Irrigation

Sulama Vanaları



Fire Fighting

Yangın Vanaları



Mechanical

Mekanik Vanaları



Sürekli değişim ve gelişim içerisinde bulunan dünya bizleri yeni ürünlerle daha kaliteli hizmet alanlarına sürüklemektedir. Bu yüzden ileri görüşlülük ve vizyon kurumsal başarı için günümüzde en temel faktörlerden biridir.

Valfon Valf'te bu nitelikleri taşıyan girişimciler tarafından 2006 yılında kurulmuş genç bir işletmedir. Mevcut durumumuzu pekiştirmek ve dahada gelişmek amacıyla uzman kadromuz, tüm bilgi birikimimiz ve tecrübemiz ile birlikte müşteri memnuniyetini en üst seviyeye çıkarmak için yoğun gayret sarf etmekteyiz.

Vana ve armatürleri konusunda Avrupa markası yaratan bir ekolden gelen firmamız müşterilerine borçlu olduğu sorumluluklarla hedeflerine yürümektedir.

We have 25 years of experience and knowledge in the valve industry and we serve with the principle of providing quality, integrity and first-class workmanship. The primary objective of our company is the continuous improvement of our product quality and to increase our sales volume and production capacity accordingly and to supply with the best quality at affordable prices.

The designing, casting, production, assembly, testing and checking of the products we produce are carried out at our own facilities, by our own expert team. By this means, we can guarantee the quality of all business processes. We constantly invest in our R&D (Research & Development) department to offer better and more reliable products to our customers and carry out all the analysis and modeling processes from designation to production.



